



## OPTIFLUX 7000 Quick Start

Capacitive electromagnetic flow sensor

**KROHNE**

## General safety notes



You can find additional information on the CD-ROM provided, in the manual, the data sheet, special manuals and certificates.



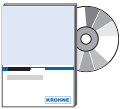
Installation, mounting, commissioning, and maintenance can be performed only by trained personnel.



Responsibility for suitability and intended use of this instrument rests solely with the user.

The supplier accepts no liability for inappropriate use by the customer.

Improper installation and operation may lead to loss of warranty. Moreover, the "general terms and conditions" on the back of the bill apply, which form the basis for the sales contract.

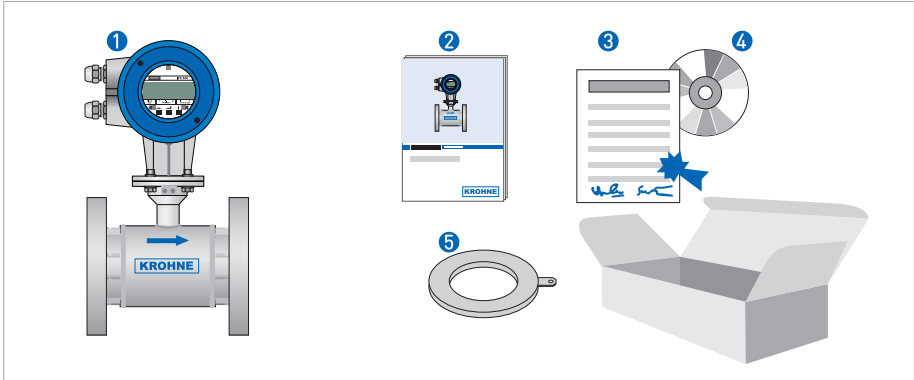


If you have to send the device back to the manufacturer or supplier, fill out the form contained on the CD-ROM and enclose it with the device. Unless this form is completely filled out, it will unfortunately not be possible for KROHNE to perform repair or inspection.



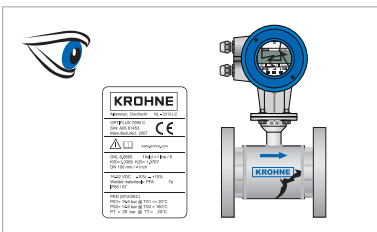
Respect general and local electrical safety requirements.

## Scope of delivery



- ① OPTIFLUX 7080 C
- ② Quick Start
- ③ Factory calibration report
- ④ CD-ROM with product documentation
- ⑤ Grounding rings (optionally)

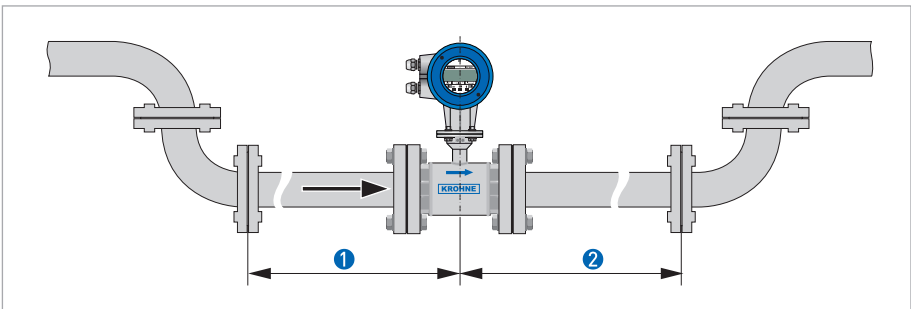
## Visual check



## Transport



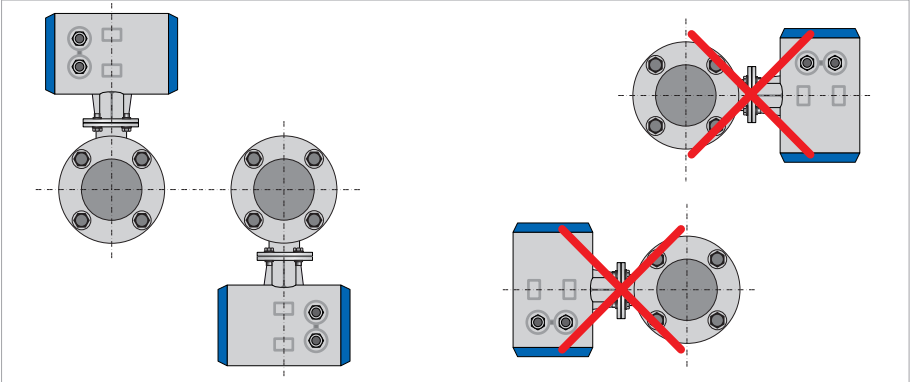
## Inlet and outlet



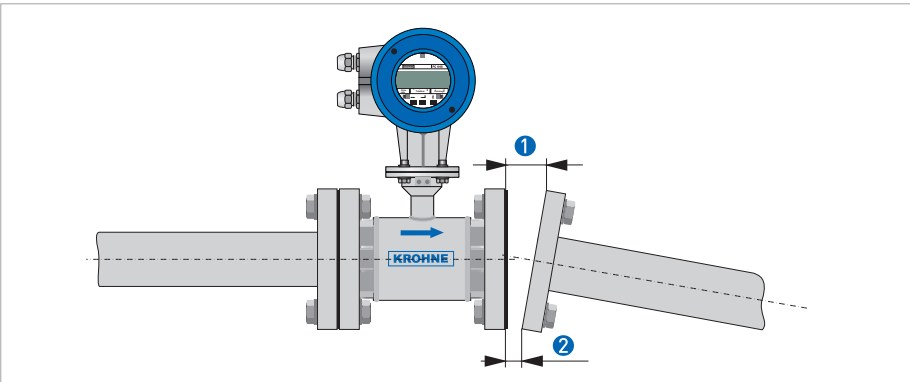
①  $\geq 5DN$

②  $\geq 2DN$

## Mounting position



## Flange deviation



①  $L_{\max}$

②  $L_{\min}$

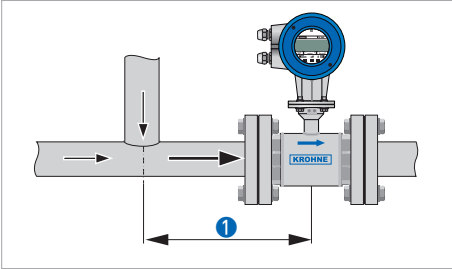


### CAUTION!

Max. permissible deviation of pipe flange faces:

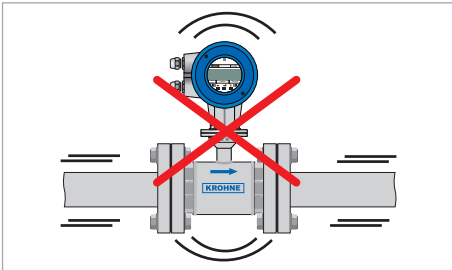
$$L_{\max} - L_{\min} \leq 0.5 \text{ mm}$$

## T-section

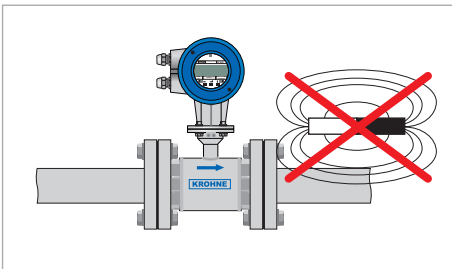


①  $\geq 10DN$

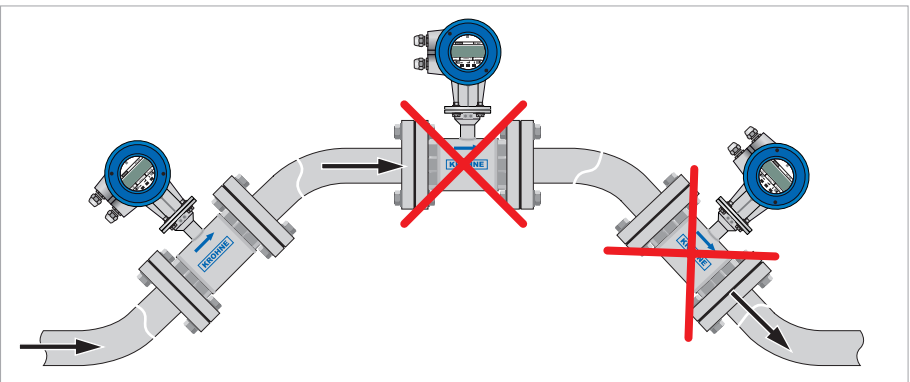
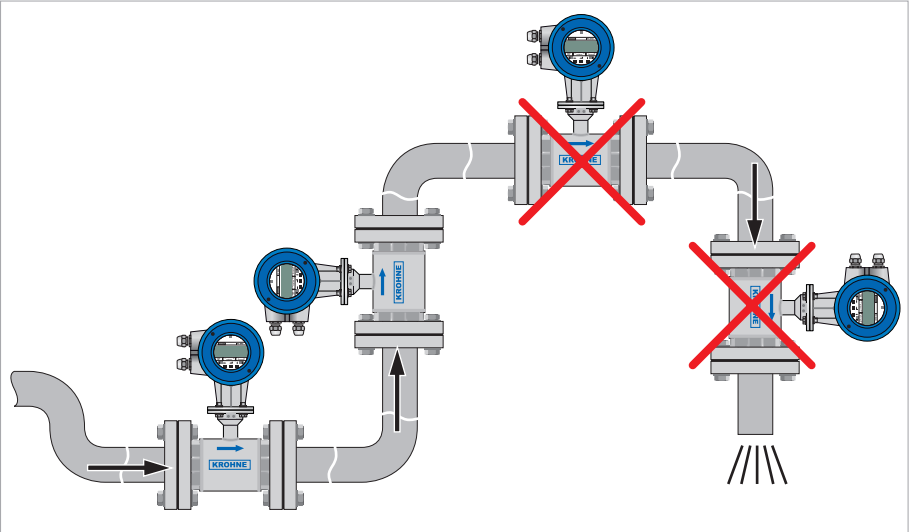
## Vibration



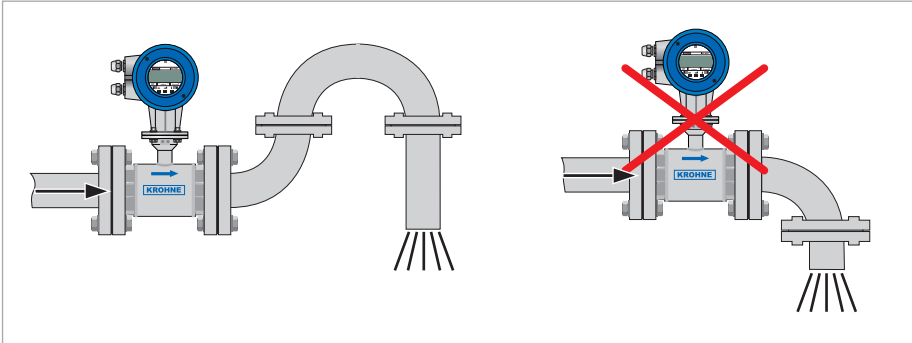
## Magnetic field



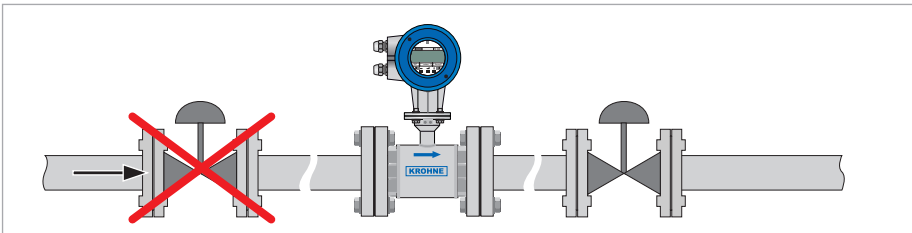
## Bends



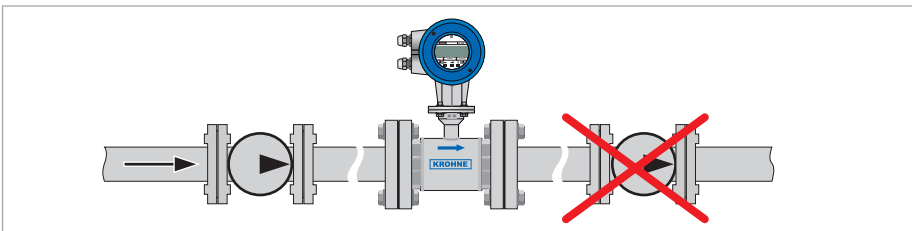
## Open discharge



## Control valve

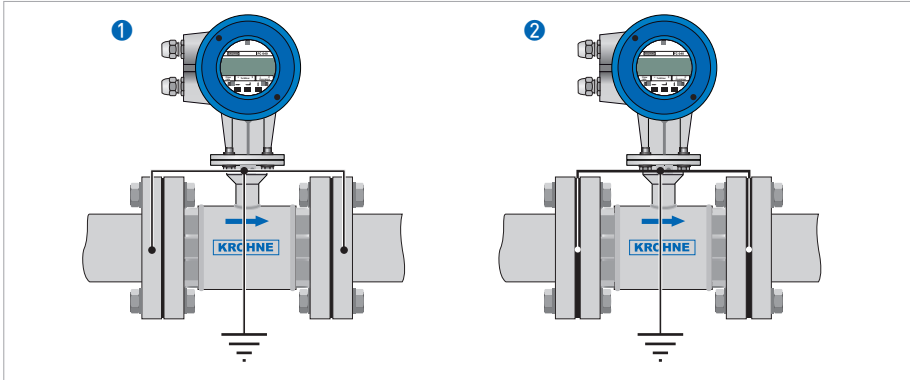


## Pump





## Grounding



- ① Metal pipelines, not internally coated. Grounding without grounding rings
- ② Metal pipelines with internal coating and non-conductive pipelines. Grounding with grounding rings

## Temperatures

### process temperature

process temperature	-20...100°C / -4...212°F
---------------------	--------------------------

### ambient temperature

process temperature $\leq 60^{\circ}\text{C}$ / $140^{\circ}\text{F}$	-25...60°C / -13...140°F
process temperature $> 60^{\circ}\text{C}$ / $140^{\circ}\text{F}$	-25...40°C / -13...104°F

### process temperature changes

Rising temperature	No limitations
Falling temperature:	
in 10 minutes	$\Delta T = 100^{\circ}\text{C} / 212^{\circ}\text{F}$
sudden change	$\Delta T = 80^{\circ}\text{C} / 176^{\circ}\text{F}$

## Torques and pressures

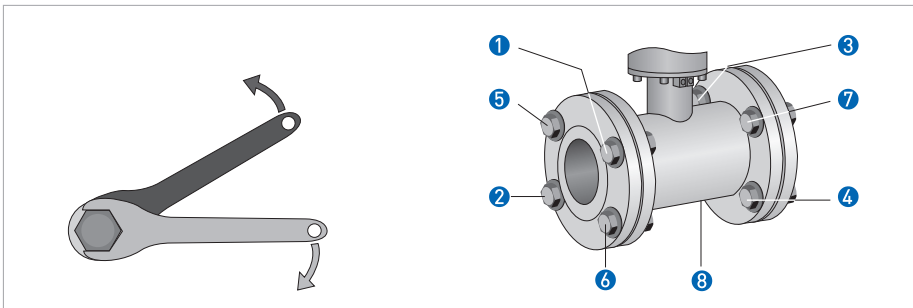
Nominal size	Pressure rating	Bolts	Max. torque [Nm]
25	PN 40	4 x M 12	73,5
40	PN 40	4 x M 16	178
50	PN 40	4 x M 16	178
80	PN 40	4 x M 16	178
100	PN 16	4 x M 16	178

Nominal size [inch]	Flange class [lb]	Bolts	Max. torque [ftlb]
1	150	4 x 1/2"	54,2
1 1/2	150	4 x 1/2"	131,3
2	150	4 x 5/8"	131,3
3	150	4 x 5/8"	131,3
4	150	4 x 5/8"	131,3



Use Stainless steel A2 / 6.9 class bolts.

Tighten the bolts in fixed order: 1+2 (in), 3+4 (out), 5+6 (in), 7+8 (out). See picture



**Max. torque:**

- Step 1: by hand
- Step 2: approx. 25% of max. torque
- Step 3: approx. 50% of max. torque
- Step 4: approx. 80% of max. torque
- Step 5: 100% of max. torque given in tables above

**Gaskets:**

You receive 4 PTFE gaskets with the instrument (2 to be used with installation, 2 as spare or to be used when you use grounding rings). No other gaskets are required.



No limits for vacuum load.

## Contact

**KROHNE Altometer**  
Kerkeplaat 12  
3313 LC Dordrecht  
Postbus 110  
3300 AC Dordrecht, the Netherlands  
[www.krohne.com](http://www.krohne.com)