



## OPTISWITCH 3200 C

Handbook

Vibrating Level Switch

Relay (DPDT)



**KROHNE**

# Contents

<b>1</b>	<b>About this document</b> .....	<b>4</b>
1.1	Function .....	4
1.2	Target group .....	4
1.3	Symbols used.....	4
<b>2</b>	<b>For your safety</b> .....	<b>5</b>
2.1	Authorised personnel .....	5
2.2	Appropriate use.....	5
2.3	Warning about incorrect use.....	5
2.4	General safety instructions .....	5
2.5	Safety label on the instrument .....	6
2.6	EU conformity.....	6
2.7	SIL conformity .....	6
2.8	Installation and operation in the USA and Canada .....	6
2.9	Safety instructions for Ex areas .....	6
<b>3</b>	<b>Product description</b> .....	<b>7</b>
3.1	Configuration.....	7
3.2	Principle of operation.....	8
3.3	Adjustment .....	8
3.4	Storage and transport.....	9
<b>4</b>	<b>Mounting</b> .....	<b>10</b>
4.1	General instructions .....	10
4.2	Mounting instructions .....	11
<b>5</b>	<b>Connecting to power supply</b> .....	<b>16</b>
5.1	Preparing the connection .....	16
5.2	Connection procedure.....	17
5.3	Wiring plan, single chamber housing.....	17
<b>6</b>	<b>Setup</b> .....	<b>19</b>
6.1	General information.....	19
6.2	Adjustment elements.....	19
6.3	Function table.....	20
<b>7</b>	<b>Maintenance and fault rectification</b> .....	<b>22</b>
7.1	Maintenance .....	22
7.2	Rectify faults.....	22
7.3	Exchanging the electronics module.....	23
7.4	How to proceed if a repair is necessary.....	24
<b>8</b>	<b>Dismount</b> .....	<b>25</b>
8.1	Dismounting steps.....	25
8.2	Disposal .....	25
<b>9</b>	<b>Supplement</b> .....	<b>26</b>
9.1	Technical data .....	26
9.2	Dimensions .....	29
9.3	Trademark .....	31

**Safety instructions for Ex areas**

Take note of the Ex specific safety instructions for Ex applications. These instructions are attached as documents to each instrument with Ex approval and are part of the operating instructions.

Editing status: 2018-11-22

# 1 About this document

## 1.1 Function

This instruction provides all the information you need for mounting, connection and setup as well as important instructions for maintenance, fault rectification, the exchange of parts and the safety of the user. Please read this information before putting the instrument into operation and keep this manual accessible in the immediate vicinity of the device.

## 1.2 Target group

This operating instructions manual is directed to trained personnel. The contents of this manual must be made available to the qualified personnel and implemented.

## 1.3 Symbols used



**Information, note, tip:** This symbol indicates helpful additional information and tips for successful work.



**Note:** This symbol indicates notes to prevent failures, malfunctions, damage to devices or plants.



**Caution:** Non-observance of the information marked with this symbol may result in personal injury.



**Warning:** Non-observance of the information marked with this symbol may result in serious or fatal personal injury.



**Danger:** Non-observance of the information marked with this symbol results in serious or fatal personal injury.



### Ex applications

This symbol indicates special instructions for Ex applications.



### List

The dot set in front indicates a list with no implied sequence.



### Sequence of actions

Numbers set in front indicate successive steps in a procedure.



### Battery disposal

This symbol indicates special information about the disposal of batteries and accumulators.

## 2 For your safety

### 2.1 Authorised personnel

All operations described in this documentation must be carried out only by trained, qualified personnel authorised by the plant operator. During work on and with the device, the required personal protective equipment must always be worn.

### 2.2 Appropriate use

The OPTISWITCH 3200 C is a sensor for point level detection. You can find detailed information about the area of application in chapter " *Product description*".

Operational reliability is ensured only if the instrument is properly used according to the specifications in the operating instructions manual as well as possible supplementary instructions.

For safety and warranty reasons, any invasive work on the device beyond that described in the operating instructions manual may be carried out only by personnel authorised by the manufacturer. Arbitrary conversions or modifications are explicitly forbidden.

### 2.3 Warning about incorrect use

Inappropriate or incorrect use of this product can give rise to application-specific hazards, e.g. vessel overflow through incorrect mounting or adjustment. Damage to property and persons or environmental contamination can result. Also, the protective characteristics of the instrument can be impaired.

### 2.4 General safety instructions

This is a state-of-the-art instrument complying with all prevailing regulations and directives. The instrument must only be operated in a technically flawless and reliable condition. The operator is responsible for the trouble-free operation of the instrument. When measuring aggressive or corrosive media that can cause a dangerous situation if the instrument malfunctions, the operator has to implement suitable measures to make sure the instrument is functioning properly.

The safety instructions in this operating instructions manual, the national installation standards as well as the valid safety regulations and accident prevention rules must be observed by the user.

For safety and warranty reasons, any invasive work on the device beyond that described in the operating instructions manual may be carried out only by personnel authorised by the manufacturer. Arbitrary conversions or modifications are explicitly forbidden. For safety reasons, only the accessory specified by the manufacturer must be used.

To avoid any danger, the safety approval markings and safety tips on the device must also be observed.

## 2.5 Safety label on the instrument

The safety approval markings and safety tips on the device must be observed.

## 2.6 EU conformity

The device fulfils the legal requirements of the applicable EU directives. By affixing the CE marking, we confirm the conformity of the instrument with these directives.

The EU conformity declaration can be found on our homepage.

## 2.7 SIL conformity

OPTISWITCH 3200 C meets the requirements to the functional safety according to IEC 61508. Further information is available in the Safety Manual "*OPTISWITCH 3XXX*".

## 2.8 Installation and operation in the USA and Canada

This information is only valid for USA and Canada. Hence the following text is only available in the English language.

Installations in the US shall comply with the relevant requirements of the National Electrical Code (ANSI/NFPA 70).

Installations in Canada shall comply with the relevant requirements of the Canadian Electrical Code.

## 2.9 Safety instructions for Ex areas

For applications in explosion-proof areas (Ex), only devices with corresponding Ex approval may be used. Observe the Ex-specific safety instructions. These are an integral part of the operating instructions and are enclosed with every device with Ex approval.

## 3 Product description

### 3.1 Configuration

#### Scope of delivery

The scope of delivery encompasses:

- OPTISWITCH 3200 C point level switch
- Documentation
  - This operating instructions manual
  - Ex specific safety instructions (with Ex versions), if necessary further certificates

#### Constituent parts

The OPTISWITCH 3200 C consists of the components:

- Housing lid
- Housing with electronics
- Process fitting with tuning fork

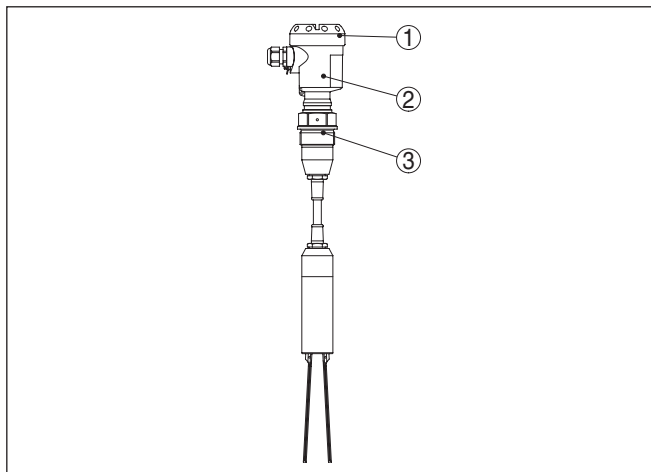


Fig. 1: OPTISWITCH 3200 C with plastic housing

- 1 Housing lid
- 2 Housing with electronics
- 3 Process fitting

#### Type label

The type label contains the most important data for identification and use of the instrument:

- Article number
- Serial number
- Technical data
- Article numbers, documentation

In addition to the type label outside on the instrument, you find the serial number also inside the instrument.

<b>Application area</b>	<b>3.2 Principle of operation</b>
	<p>OPTISWITCH 3200 C is a point level sensor with tuning fork for point level detection.</p> <p>It is designed for industrial use in all areas of process technology and is preferably used for bulk solids.</p> <p>Typical applications are overflow and dry run protection. Thanks to its simple and robust measuring system, OPTISWITCH 3200 C is virtually unaffected by the chemical and physical properties of the bulk solid.</p> <p>It also works when subjected to strong external vibrations or changing products.</p> <p><b>Solid detection in water</b></p> <p>If OPTISWITCH 3200 C was ordered for solids detection in water, the tuning fork is set to the density of water. In air or when immersed in water (density: 1 g/cm<sup>3</sup>/0.036 lbs/in), OPTISWITCH 3200 C signals "uncovered". Only when the vibrating element is also covered with solids (e.g. sand, sludge, gravel etc.) will the sensor signal "covered".</p> <p><b>Function monitoring</b></p> <p>The electronics module of OPTISWITCH 3200 C continuously monitors the following criteria:</p> <ul style="list-style-type: none"> <li>● Correct vibrating frequency</li> <li>● Line break to the piezo drive</li> </ul> <p>If one of the stated malfunctions is detected or in case of voltage supply, the electronics takes on a defined switching status, i.e. the relay deenergises (safe state).</p>
<b>Functional principle</b>	<p>The tuning fork is piezoelectrically energised and vibrates at its mechanical resonance frequency of approx. 150 Hz. When the tuning fork is submerged in the product, the vibration amplitude changes. This change is detected by the integrated electronics module and converted into a switching command.</p>
<b>Voltage supply</b>	<p>OPTISWITCH 3200 C is a compact instrument, i.e. it can be operated without external evaluation system. The integrated electronics evaluates the level signal and outputs a switching signal. With this switching signal, a connected device can be operated directly (e.g. a warning system, a pump etc.).</p> <p>The data for power supply are specified in chapter " <i>Technical data</i>".</p>

### 3.3 Adjustment

On the electronics module you will find the following display and adjustment elements:

- Signal lamp for indication of the switching condition (green/red)
- Potentiometer for adaptation to the product density
- Mode switch for selecting the switching condition (min./max.)



### 3.4 Storage and transport

#### Packaging

Your instrument was protected by packaging during transport. Its capacity to handle normal loads during transport is assured by a test based on ISO 4180.

The packaging of standard instruments consists of environment-friendly, recyclable carton material. The sensing element is additionally protected with a cardboard cover. For special versions, PE foam or PE foil is also used. Please dispose of the packaging material through specialised recycling companies.

#### Transport

Transport must be carried out in due consideration of the notes on the transport packaging. Nonobservance of these instructions can cause damage to the device.

#### Transport inspection

The delivery must be checked for completeness and possible transit damage immediately at receipt. Ascertained transit damage or concealed defects must be appropriately dealt with.

#### Storage

Up to the time of installation, the packages must be left closed and stored according to the orientation and storage markings on the outside.

Unless otherwise indicated, the packages must be stored only under the following conditions:

- Not in the open
- Dry and dust free
- Not exposed to corrosive media
- Protected against solar radiation
- Avoiding mechanical shock and vibration

#### Storage and transport temperature

- Storage and transport temperature see chapter "*Supplement - Technical data - Ambient conditions*"
- Relative humidity 20 ... 85 %

#### Lifting and carrying

With instrument weights of more than 18 kg (39.68 lbs) suitable and approved equipment must be used for lifting and carrying.

## 4 Mounting

### 4.1 General instructions

#### Process conditions



#### Note:

For safety reasons, the instrument must only be operated within the permissible process conditions. You can find detailed information on the process conditions in chapter " *Technical data*" of the operating instructions or on the type label.

Hence make sure before mounting that all parts of the instrument exposed to the process are suitable for the existing process conditions.

These are mainly:

- Active measuring component
- Process fitting
- Process seal

Process conditions in particular are:

- Process pressure
- Process temperature
- Chemical properties of the medium
- Abrasion and mechanical influences

#### Suitability for the ambient conditions

The instrument is suitable for standard and extended ambient conditions acc. to DIN/EN/IEC/ANSI/ISA/UL/CSA 61010-1. It can be used indoors as well as outdoors.

#### Switching point

In general, OPTISWITCH 3200 C must be mounted vertically. The instrument must be mounted in such a way that the vibrating element is at the height of the requested switching point.

#### Moisture

Use the recommended cables (see chapter " *Connecting to power supply*") and tighten the cable gland.

You can give your instrument additional protection against moisture penetration by leading the connection cable downward in front of the cable gland. Rain and condensation water can thus drain off. This applies mainly to outdoor mounting as well as installation in areas where high humidity is expected (e.g. through cleaning processes) or on cooled or heated vessels.

To maintain the housing protection, make sure that the housing lid is closed during operation and locked, if necessary.

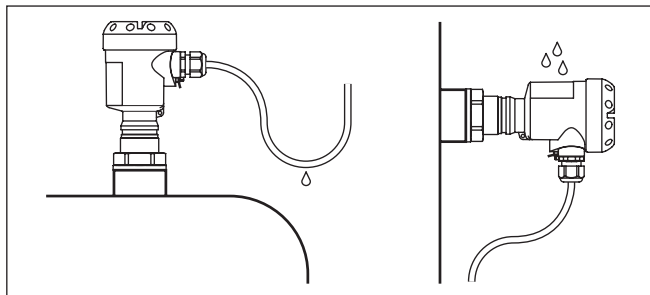


Fig. 2: Measures against moisture ingress

### Transport

Do not hold OPTISWITCH 3200 C on the vibrating element. Especially with flange and tube versions, the sensor can be damaged by the weight of the instrument.

Remove the protective cover just before mounting.

### Pressure/Vacuum

The process fitting must be sealed if there is gauge or low pressure in the vessel. Before use, check if the sealing material is resistant against the measured product and the process temperature.

The max. permissible pressure is specified in chapter " *Technical data*" or on the type label of the sensor.

### Handling

The vibrating level switch is a measuring instrument and must be treated accordingly. Bending the vibrating element will destroy the instrument.



#### Warning:

The housing must not be used to screw the instrument in! Applying tightening force can damage internal parts of the housing.

Use the hexagon above the thread for screwing in.

### Cable entries - NPT thread Cable glands

#### Metric threads

In the case of instrument housings with metric thread, the cable glands are screwed in at the factory. They are sealed with plastic plugs as transport protection.

You have to remove these plugs before electrical connection.

#### NPT thread

In the case of instrument housings with self-sealing NPT threads, it is not possible to have the cable entries screwed in at the factory. The free openings for the cable glands are therefore covered with red dust protection caps as transport protection.

Prior to setup you have to replace these protective caps with approved cable glands or close the openings with suitable blind plugs.

## 4.2 Mounting instructions

### Tensile load

Make sure that the max. permissible tensile load of the suspension cable is not exceeded. The danger of this happening exists particu-

larly with very heavy solids and large meas. lengths. The max. permissible load is stated in chapter "Technical data".

### Material cone

In silos with bulk solids, material cones can form which change the switching point. Please keep this in mind when installing the sensor in the vessel. We recommend selecting an installation location where the sensor detects the average value of the material cone.

The tuning fork must be mounted in a way that takes the arrangement of the filling and emptying apertures into account.

To compensate measurement errors caused by the material cone in cylindrical vessels, the sensor must be mounted at a distance of  $d/10$  from the vessel wall.

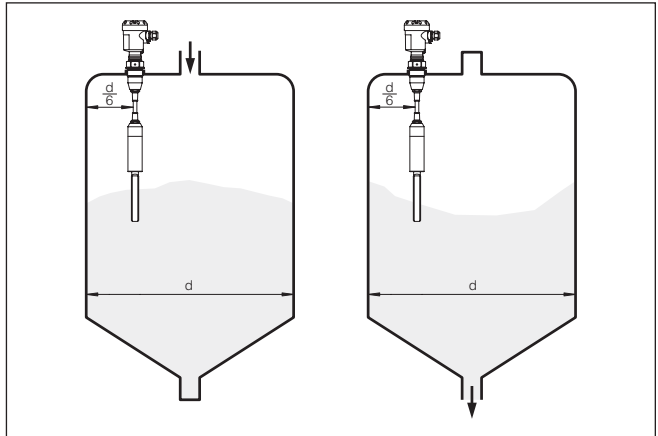


Fig. 3: Filling and emptying centred

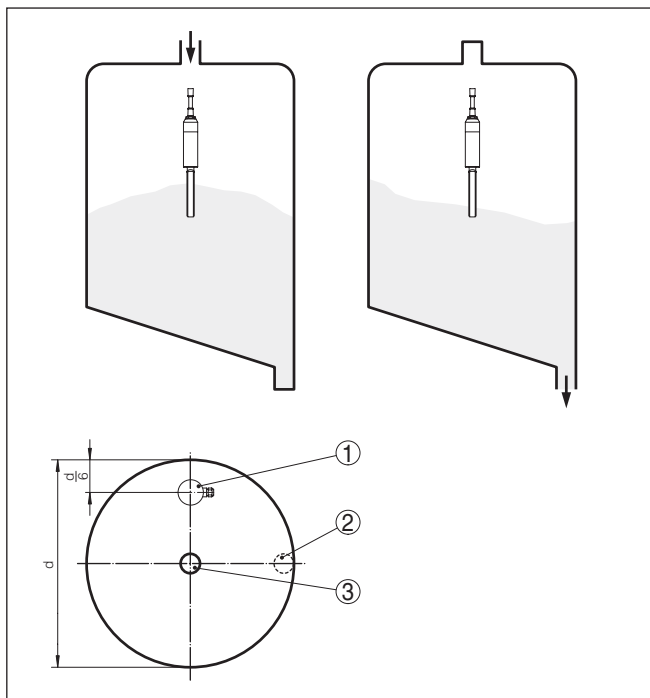


Fig. 4: Filling in the centre, emptying laterally

- 1 OPTISWITCH 3200 C
- 2 Discharge opening
- 3 Filling opening

### Mounting socket

The vibrating element should protrude into the vessel to avoid buildup. For that reason, avoid using mounting bosses for flanges and screwed fittings. This applies particularly to use with adhesive products.

### Inflowing medium

If OPTISWITCH 3200 C is mounted in the filling stream, unwanted false measurement signals can be generated. For this reason, mount OPTISWITCH 3200 C at a position in the vessel where no disturbances, e.g. from filling openings, agitators, etc., can occur.

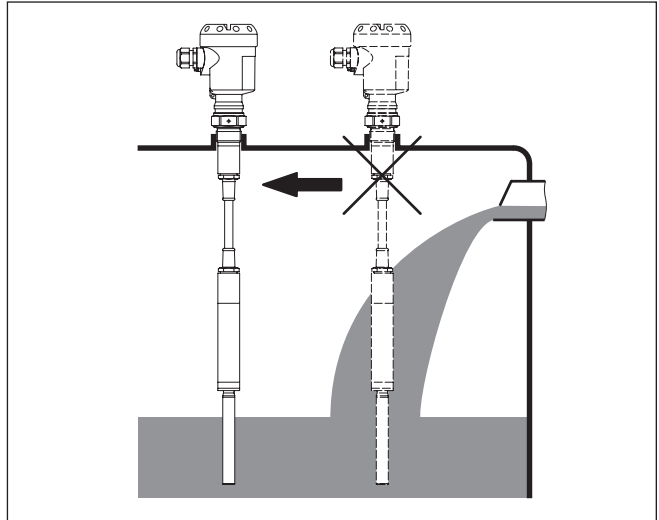


Fig. 5: Inflowing medium

### Product flow

To make sure the tuning fork of OPTISWITCH 3200 C generates as little resistance as possible to product flow, mount the sensor so that the surfaces are parallel to the product movement.

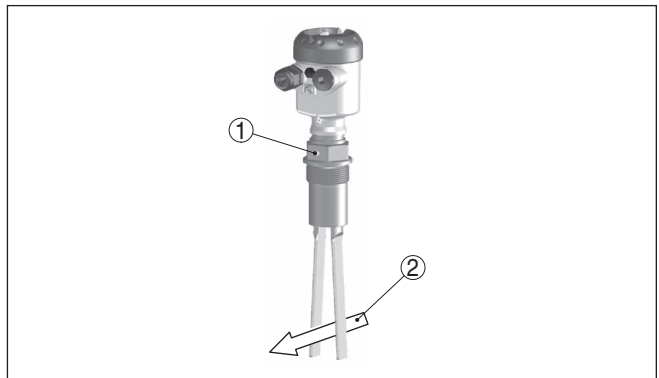


Fig. 6: Flow orientation of the tuning fork

1 Marking with screwed version

2 Direction of flow

### Baffle protection against falling rocks

In applications such as grit chambers or settling basins for coarse sediments, the vibrating element must be protected against damage with a suitable baffle.

This baffle must be manufactured by you.

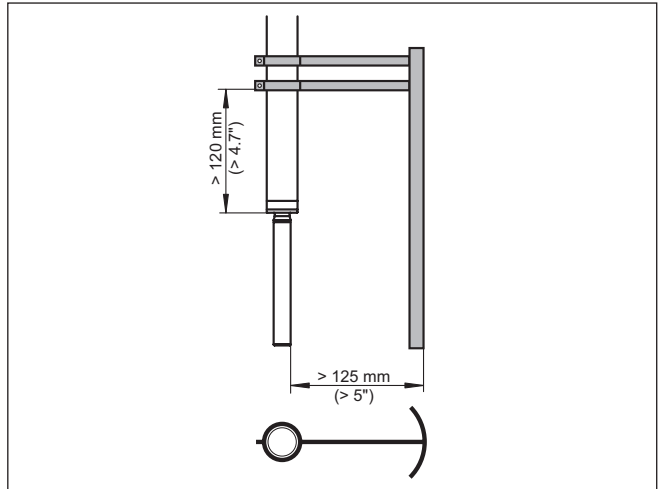


Fig. 7: Baffle for protection against mechanical damage

## 5 Connecting to power supply

### 5.1 Preparing the connection

**Note safety instructions** Always keep in mind the following safety instructions:



**Warning:**

Connect only in the complete absence of line voltage.

- The electrical connection must only be carried out by trained, qualified personnel authorised by the plant operator.
- Always switch off power supply, before connecting or disconnecting the instrument.



**Note:**

Install a disconnecting device for the instrument which is easy to access. The disconnecting device must be marked for the instrument (IEC/EN 61010).

**Take note of safety instructions for Ex applications**



In hazardous areas you must take note of the respective regulations, conformity and type approval certificates of the sensors and power supply units.

**Voltage supply**

Connect the voltage supply according to the connection diagrams. The electronics module with relay output is designed in protection class I. To maintain this protection class, it is absolutely necessary that the earth conductor be connected to the inner earth conductor terminal. Keep the general installation regulations in mind. Take note of the corresponding installation regulations for hazardous areas with Ex applications.

The data for power supply are specified in chapter "*Technical data*".

**Connection cable**

The instrument is connected with standard three-wire cable without screen. If electromagnetic interference is expected which is above the test values of EN 61326 for industrial areas, screened cable should be used.

Make sure that the cable used has the required temperature resistance and fire safety for max. occurring ambient temperature

Use cable with round cross-section. A cable outer diameter of 5 ... 9 mm (0.2 ... 0.35 in) ensures the seal effect of the cable gland. If you are using cable with a different diameter or cross-section, exchange the seal or use a suitable cable gland.



In hazardous areas, use only approved cable connections for OPTISWITCH 3200 C.

**Connection cable for Ex applications**



Take note of the corresponding installation regulations for Ex applications.

Cover all housing openings conforming to standard according to EN 60079-1.



## 5.2 Connection procedure



With Ex instruments, the housing cover may only be opened if there is no explosive atmosphere present.

Proceed as follows:

1. Unscrew the housing lid
2. Loosen compression nut of the cable gland and remove blind plug
3. Remove approx. 10 cm (4 in) of the cable mantle, strip approx. 1 cm (0.4 in) of insulation from the ends of the individual wires
4. Insert the cable into the sensor through the cable entry
5. Lift the opening levers of the terminals with a screwdriver (see following illustration)

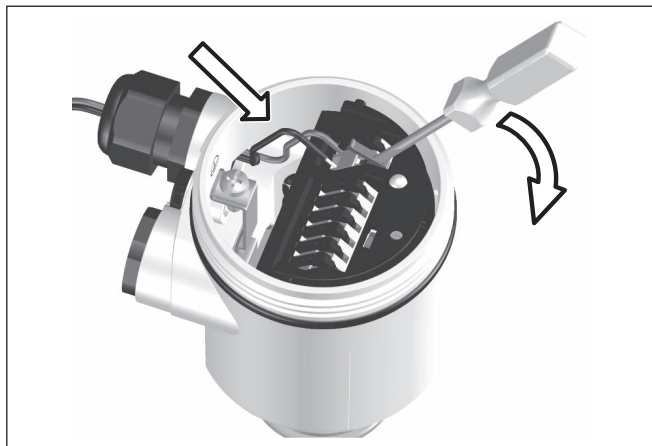


Fig. 8: Connection steps 5 and 6

6. Insert the wire ends into the open terminals according to the wiring plan
  7. Press down the opening levers of the terminals, you will hear the terminal spring closing
  8. Check the hold of the wires in the terminals by lightly pulling on them
  9. Tighten the compression nut of the cable entry gland. The seal ring must completely encircle the cable
  10. If necessary, carry out a fresh adjustment
  11. Screw the housing lid back on
- The electrical connection is finished.

## 5.3 Wiring plan, single chamber housing



The following illustrations apply to the non-Ex as well as to the Ex-d version.

## Housing overview

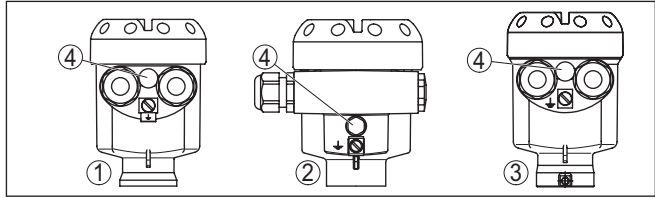


Fig. 9: Material versions, single chamber housing

- 1 Plastic (not with Ex d)
- 2 Aluminium
- 3 Stainless steel (not with Ex d)
- 4 Filter element for pressure compensation (not with Ex d)

## Wiring plan

We recommend connecting OPTISWITCH 3200 C in such a way that the switching circuit is open when there is a level signal, line break or failure (safe state).

The relays are always shown in non-operative condition.

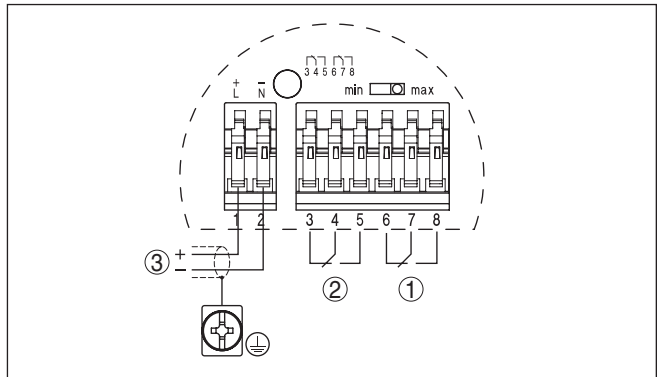


Fig. 10: Wiring plan

- 1 Relay output
- 2 Relay output
- 3 Voltage supply

## Connection to a PLC

If inductive loads or stronger currents are switched through, the gold plating on the relay contact surface will be permanently damaged. The contact is then no longer suitable for switching low-voltage circuits.

Inductive loads also result from the connection to a PLC input or output and/or in combination with long cables. It is imperative that you take measures to extinguish sparks to protect the relay contact (e.g. Z diode) or use an electronic version with transistor output.

## 6 Setup

### 6.1 General information

The figures in brackets refer to the following illustrations.

**Function/Configuration** On the electronics module you will find the following display and adjustment elements:

- Potentiometer for adjustment of the density range (1)
- DIL switch for mode adjustment - min./max. (2)
- Signal lamp (5)



#### Note:

As a rule, always set the mode with mode switch (2) before starting the setup of OPTISWITCH 3200 C. The switching output will change if you set the mode switch (2) afterwards. This could possibly trigger other connected instruments or devices.

**Electronics and connection compartment**

### 6.2 Adjustment elements

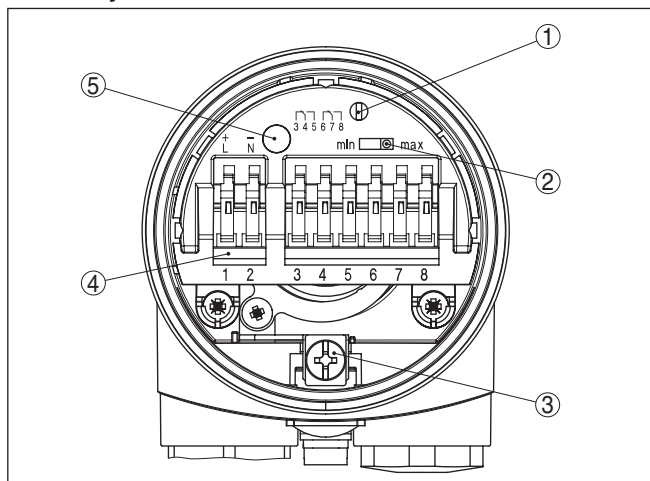


Fig. 11: Electronics and connection compartment - relay output

- 1 Potentiometer for adjustment of the density range
- 2 DIL switch for mode adjustment
- 3 Ground terminal
- 4 Connection terminals
- 5 Control lamp

**Adjustment of the density range (1)**

With the potentiometer you can adapt the switching point to the solid. It is already preset and must only be modified in special cases.

By default, the potentiometer of OPTISWITCH 3200 C is set to the right stop ( $> 0.02 \text{ g/cm}^3$  or  $0.0008 \text{ lbs/in}^3$ ). In case of very light-weight solids, turn the potentiometer to the left stop ( $> 0.008 \text{ g/cm}^3$  or  $0.0003 \text{ lbs/in}^3$ ). OPTISWITCH 3200 C will thus be more sensitive and can detect light-weight solids more reliably.

For instruments detecting solids in water, these settings are not applicable. The density range is preset and must not be changed.

### Mode adjustment (2)

With the mode setting (min./max.) you can change the switching condition of the relay. You can set the required mode according to the "Function table" (max. - max. detection or overflow protection, min. - min. detection or dry run protection).

We recommend connecting according to the idle current principle (relay contact deenergizes when the switching point is reached), because the relay always takes on the same (safe) state if a failure is detected.


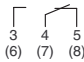


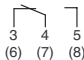

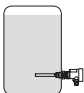
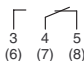

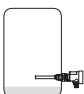
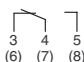

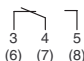

### Signal lamp (5)

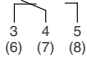

Control lamp for indication of the switching status

- green = relay energized
- red = relay deenergized
- red (flashing) = failure

## 6.3 Function table

The following table provides an overview of the switching conditions depending on the set mode and the level.

	Level	Switching status	Control lamp
Mode of operation max. Overflow protection		 Relay energized	 Green
Mode of operation max. Overflow protection		 Relay deenergized	 Red
Mode of operation min. Dry run protection		 Relay energized	 Green
Mode of operation min. Dry run protection		 Relay deenergized	 Red
Failure of the supply voltage (min./max. mode)	any	 Relay deenergized	

	Level	Switching status	Control lamp
Fault	any	 Relay deenergized	 flashes red

## 7 Maintenance and fault rectification

### 7.1 Maintenance

#### Maintenance

If the device is used properly, no special maintenance is required in normal operation.

#### Cleaning

The cleaning helps that the type label and markings on the instrument are visible.

Take note of the following:

- Use only cleaning agents which do not corrode the housings, type label and seals
- Use only cleaning methods corresponding to the housing protection rating

### 7.2 Rectify faults

#### Reaction when malfunction occurs

The operator of the system is responsible for taking suitable measures to rectify faults.

#### Causes of malfunction

The device offers maximum reliability. Nevertheless, faults can occur during operation. These may be caused by the following, e.g.:

- Sensor
- Process
- Voltage supply
- Signal processing

#### Fault rectification

The first measure to take is to check the output signal. In many cases, the causes can be determined this way and the faults quickly rectified.

#### Checking the switching signal

Error	Cause	Rectification
OPTISWITCH 3200 C signals "covered" without being submerged (overflow protection) OPTISWITCH 3200 C signals "uncovered" when being submerged (dry run protection)	Operating voltage too low	Check operating voltage
	Electronics defective	Press the mode switch. If the instrument then changes the mode, the vibrating element may be covered with buildup or mechanically damaged. Should the switching function in the correct mode still be faulty, return the instrument for repair.
		Press the mode switch. If the instrument then does not change the mode, the electronics module may be defective. Exchange the electronics module.
	Unfavourable installation location	Mount the instrument at a location in the vessel where no dead zones or mounds can form.
	Buildup on the vibrating element	Check the vibrating element and the sensor for buildup and remove the buildup if there is any.
	Wrong mode selected	Set the correct mode with the mode switch (overflow protection, dry run protection). Wiring should be carried out according to the closed-circuit principle.

Error	Cause	Rectification
Signal lamp flashes red	Error on the vibrating element	Check if the vibrating element is damaged or extremely corroded.
	Interference on the electronics module	Exchanging the electronics module
	instrument defective	Exchange the instrument or send it in for repair

### Reaction after fault rectification

Depending on the reason for the fault and the measures taken, the steps described in chapter "Setup" must be carried out again or must be checked for plausibility and completeness.

## 7.3 Exchanging the electronics module

In general, all electronics modules of series WE60 can be interchanged. If you want to use an electronics module with a different signal output, you can download the corresponding operating instructions manual from our homepage under Downloads.



With Ex-d instruments, the housing cover may only be opened if there is no explosive atmosphere present.

Proceed as follows:

1. Switch off voltage supply
2. Unscrew the housing lid
3. Lift the opening levers of the terminals with a screwdriver
4. Pull the connection cables out of the terminals
5. Loosen the two screws with a screw driver (Torx size T10 or slot 4)

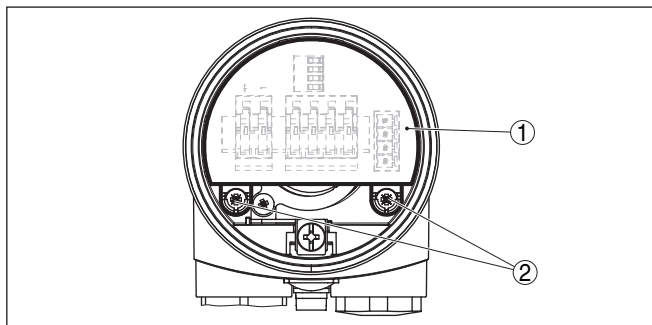


Fig. 12: Loosen the holding screws

- 1 Electronics module
- 2 Screws (2 pcs.)

6. Pull out the old electronics module
7. Compare the new electronics module with the old one. The type label of the electronics module must correspond to that of the old electronics module. This applies particularly to instruments used in hazardous areas.

8. Compare the settings of the two electronics modules. Set the adjustment elements of the new electronics module to the same setting of the old one.

**Information:**

Make sure that the housing is not rotated during the electronics exchange. Otherwise the plug may be in a different position later.

9. Insert the electronics module carefully. Make sure that the plug is in the correct position.
10. Screw in and tighten the two holding screws with a screwdriver (Torx size T10 or Phillips 4)
11. Insert the wire ends into the open terminals according to the wiring plan
12. Press down the opening levers of the terminals, you will hear the terminal spring closing
13. Check the hold of the wires in the terminals by lightly pulling on them
14. Check cable gland on tightness. The seal ring must completely encircle the cable.
15. Screw the housing lid back on

The electronics exchange is now finished.

## 7.4 How to proceed if a repair is necessary

If it is necessary to repair the instrument, please contact the responsible Krohne agency.



## 8 Dismount

### 8.1 Dismounting steps

**Warning:**

Before dismounting, be aware of dangerous process conditions such as e.g. pressure in the vessel, high temperatures, corrosive or toxic products etc.

Take note of chapters "*Mounting*" and "*Connecting to voltage supply*" and carry out the listed steps in reverse order.



With Ex instruments, the housing cover may only be opened if there is no explosive atmosphere present.

### 8.2 Disposal

The device is made of recyclable materials. For this reason, it should be disposed of by a specialist recycling company. Observe the applicable national regulations.

## 9 Supplement

### 9.1 Technical data

#### General data

Material 316L corresponds to 1.4404 or 1.4435

#### Materials, wetted parts

– Process fitting - thread	316L
– Process fitting - flange	316L
– Process seal	Klingersil C-4400
– Seal (vibrating element)	CR, CSM
– Tuning fork	316L
– Suspension cable (-20 ... +80 °C/ 4 ... +176 °F)	PUR
– Suspension cable - optionally (-40 ... +150 °C/-40 ... +302 °F)	FEP

#### Materials, non-wetted parts

– Plastic housing	Plastic PBT (Polyester)
– Aluminium die-cast housing	Aluminium die-casting AlSi10Mg, powder-coated - basis: Polyester
– Stainless steel housing (precision casting)	316L
– Stainless steel housing (electropolished)	316L
– Seal between housing and housing lid	Silicone
– Light guide in housing cover (plastic)	PMMA (Makrolon)
– Ground terminal	316L
– Cable gland	PA, stainless steel, brass
– Sealing, cable gland	NBR
– Blind plug, cable gland	PA

#### Process fittings

– Pipe thread, cylindrical (DIN 3852-A)	G1½
– Pipe thread, conical (ASME B1.20.1)	1½ NPT

#### Weight approx.

– Instrument weight (depending on process fitting)	0.8 ... 4 kg (0.18 ... 8.82 lbs)
– Suspension cable (-20 ... +80 °C/ 4 ... +176 °F)	165 g/m (1.77 oz/ft)
– Suspension cable (-40 ... +150 °C/ 40 ... +302 °F) optionally	200 g/m (2.15 oz/ft)

Max. permissible tensile load 3000 N (675 lbs)

#### Sensor length (L)

– PUR suspension cable (-20 ... +80 °C/-4 ... +176 °F)	0.48 ... 80 m (1.575 ... 262.47 ft)
---	-------------------------------------

- Tragkabel FEP (-40 ... +150 °C/-40 ... +302 °F) 0.6 ... 80 m (1.969 ... 262.47 ft)

Torque for NPT cable glands and Conduit tubes

- Plastic housing max. 10 Nm (7.376 lbf ft)
- Aluminium/Stainless steel housing max. 50 Nm (36.88 lbf ft)

---

### Output variable

---

Output	Relay output (DPDT), 2 floating spdts
Switching voltage	max. 253 V AC/DC With circuits > 150 V AC/DC, the relay contacts must be in the same circuit.
Switching current	max. 3 A AC (cos phi > 0,9), 1 A DC
Breaking capacity	
- Min.	50 mW
- Max.	750 VA AC, 40 W DC (at U < 40 V DC) If inductive loads or stronger currents are switched through, the gold plating on the relay contact surface will be permanently damaged. The contact is then no longer suitable for switching low-level signal circuits.
Contact material (relay contacts)	AgNi or AgSnO <sub>2</sub> each with 3 µm gold plating
Modes (switchable)	
- A	Max. detection or overflow protection
- B	Min. detection or dry run protection
Switching delay	
- When immersed	0.5 s
- When laid bare	1 s

---

### Ambient conditions

---

Ambient temperature on the housing	-40 ... +80 °C (-40 ... +176 °F)
Storage and transport temperature	-40 ... +80 °C (-40 ... +176 °F)

---

### Process conditions

---

Measured variable	Limit level of solids
Process pressure	-1 ... 6 bar/-100 ... 600 kPa (-14.5 ... 87 psig)
Process temperature OPTISWITCH 3200 C of 316L	-20 ... +80 °C (-4 ... +176 °F)
Product density	
- Standard sensitivity	> 0.02 g/cm <sup>3</sup> (0.0007 lbs/in <sup>3</sup> )
- High sensitivity	> 0.008 g/cm <sup>3</sup> (0.0003 lbs/in <sup>3</sup> )
Granular size	max. 10 mm (0.4 in)

**Electromechanical data**

## Options of the cable entry

- |               |                  |
|---------------|------------------|
| – Cable entry | M20 x 1.5; ½ NPT |
| – Cable gland | M20 x 1.5; ½ NPT |
| – Blind plug  | M20 x 1.5; ½ NPT |
| – Closing cap | ½ NPT            |

## Wire cross-section (spring-loaded terminals)

- |                                 |   |
|---------------------------------|---|
| – Massive wire, stranded wire   | 0.2 ... 2.5 mm <sup>2</sup> (AWG 24 ... 14) |
| – Stranded wire with end sleeve | 0.2 ... 1.5 mm <sup>2</sup> (AWG 24 ... 16) |

**Adjustment elements**

## Mode switch

- |        |                                       |
|--------|---------------------------------------|
| – Min. | Min. detection or dry run protection  |
| – Max. | Max. detection or overflow protection |

**Voltage supply**

- |                        |   |
|------------------------|---|
| Operating voltage      | 20 ... 253 V AC, 50/60 Hz, 20 ... 72 V DC (at U >60 V DC, the ambient temperature can be max. 50 °C/122 °F) |
| Max. power consumption | 8 VA (AC), 1.5 W (DC)   |

**Electrical protective measures**

- |                           |                          |
|---------------------------|--------------------------|
| Protection rating         | IP66/IP67 (NEMA Type 4X) |
| Altitude above sea level  | up to 5000 m (16404 ft)  |
| Overvoltage category      |                          |
| – up to 2000 m (6562 ft)  | III                      |
| – up to 5000 m (16404 ft) | II                       |
| Protection class          | I                        |

**Approvals**

Depending on the version, instruments with approvals can have different technical data. For these instruments, please note the corresponding approval documents. They are included in the scope of delivery.

## 9.2 Dimensions

### OPTISWITCH 3200 C

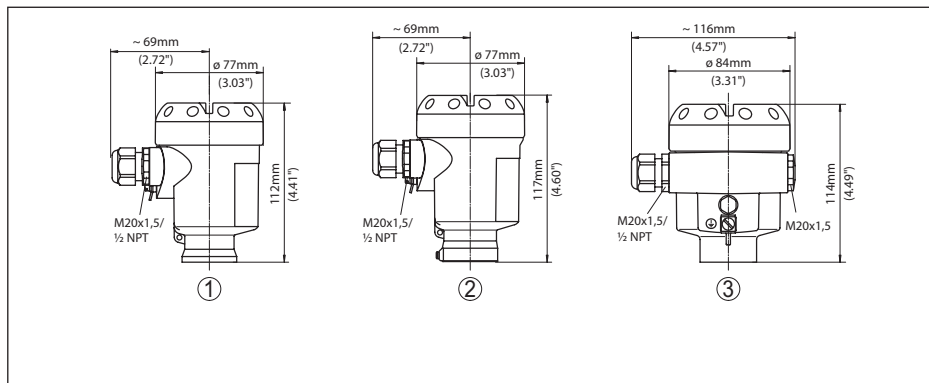


Fig. 13: Housing versions

- 1 Plastic single chamber
- 2 Stainless steel single chamber
- 3 Aluminium - single chamber

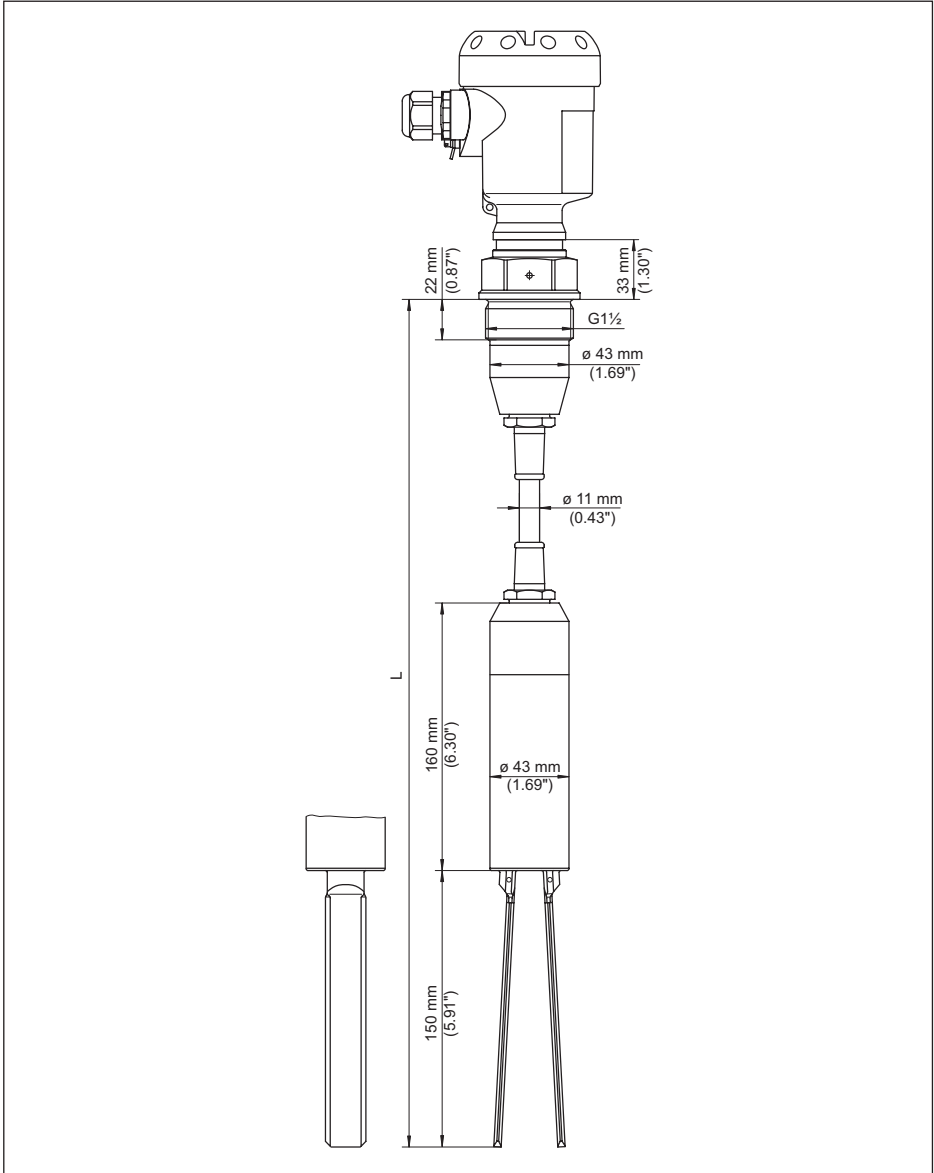


Fig. 14: OPTISWITCH 3200 C, threaded version G1½ (DIN ISO 228/1)

L Sensor length, see chapter "Technical data"

### **9.3 Trademark**

All the brands as well as trade and company names used are property of their lawful proprietor/originator.

## **KROHNE - Products, Solutions and Services**

- Process instrumentation for flow, level, temperature, pressure measurement and process analytics
- Flow metering, monitoring, wireless and remote metering solutions
- Engineering, commissioning, calibration, maintenance and training services

Head Office KROHNE Messtechnik GmbH  
Ludwig-Krohne-Straße 5  
47058 Duisburg (Germany)  
Tel.: +49 (0) 203 301 0  
Tel.: +49 (0) 203 301 10389  
info@krohne.de

The current list of all KROHNE contacts and addresses can be found at:  
[www.krohne.com](http://www.krohne.com)

**KROHNE**