



SHD 200 Technical Datasheet

Control unit for 4...20 mA/HART[®] field devices

- Second 4...20 mA current output for any HART[®] variable
- 2 configurable relays for status output, system alarm or limit switch
- Different user-configurable measuring pages for all 4...20 mA and HART[®] signals

The documentation is only complete when used in combination with the relevant documentation for the field device.

1	Product features	3
<hr/>		
1.1	Control unit for 4...20 mA / HART field devices.....	3
2	Technical data	4
<hr/>		
2.1	Technical data.....	4
2.2	Dimensions	6
3	Installation	7
<hr/>		
3.1	General notes on installation	7
3.2	Intended use	7
3.3	Pre-installation requirements	8
3.4	Opening the housing	9
3.5	Wall mounting	10
3.5.1	Housing	10
4	Electrical connections	11
<hr/>		
4.1	Connection diagram overview	11
4.2	Connecting the field device cable	12
4.3	Connecting the second current output	13
4.4	Connecting the relay outputs	14
4.5	Connecting the external HART adapter	15
4.6	Power supply	15
5	Notes	17
<hr/>		

1.1 Control unit for 4...20 mA / HART field devices

The SHD 200 is a unit for control and monitoring of process parameters in various industry applications. It is suitable to be connecting to all loop-powered field devices with 4...20 mA current output and/or HART[®] communication. The SHD 200 exceeds the functionality of an ordinary display. It features different customer-specific measurement pages displaying up to 4 different values for detailed process monitoring (incl. trend graph and summary page). For improved process control, the control unit comes with two freely programmable relays for status, system alert and limit switch as well as a second current output for any HART[®] variable (e.g. temperature in pH and conductivity measurements). Connecting a HART[®] handheld, the SHD 200 provides access to all sensor functions including calibration.



Figure 1-1: SHD 200 plastic housing

- ① High-brightness LEDs for NAMUR NE 107 status signalisation
- ② Display
- ③ Operation keys
- ④ Cable glands

Highlights

- Control unit for 4...20 mA/HART[®] field devices
- 2 wire, loop-powered device
- Second 4...20 mA current output for any HART[®] variable
- 2 configurable relays for status output, system alarm or limit switch
- Different user-configurable measuring pages for all 4...20 mA and HART[®] signals, trend graph and summary page
- Full access to all sensor functions including calibration possible by connecting a HART[®] handheld
- Status signalisation by 5 LEDs according to NAMUR NE 107
- Robust plastic housing (IP66/67)

2.1 Technical data

- *The following data is provided for general applications. If you require data that is more relevant to your specific application, please contact us or your local sales office.*
- *Additional information (certificates, special tools, software,...) and complete product documentation can be downloaded free of charge from the website (Downloadcenter).*

Measuring system

Measuring principle	The measuring principle depends on the used field device(s), for further information refer to the field device manual(s).
Measuring range	The measuring range depends on the used field device(s), for further information refer to the field device manual(s).

Design

Construction	A typical measuring system consists of: <ul style="list-style-type: none"> • SHD 200 • HART[®] capable field device • Field device cable
Communication protocol	≥ HART [®] 5

Display and user interface

Graphic display	LC display 256 x 128 pixel
Operating elements	4 push buttons for operator control of the signal converter without opening the housing.
Operating menu	The operation menu consists of: Measuring mode: 6 pages (5 measurement pages and 1 status page) Menu mode: variety of main and submenus that allows to customise the device according to the demands of the measuring point.
Operating and display languages	English, German, French, Italian, Spanish
Units	HART [®] units and customer specific units

Operating conditions

Temperature	
Ambient	-20...+70°C / -4...+158°F Note: the manufacturer strongly recommends to protect the signal converter from external heat sources such as direct sunlight as higher temperatures reduce the life cycle of all electronic components!
Storage	-30...+70°C / -22...+158°F
Altitude	≤ 2000 m / 6561.68 f

Other conditions

Humidity	RH4...100% rH (IEC 60721-3-4:1995 Class 4K4)
Ingress protection acc. to IEC 60529:	IP66/ IP67

Installation conditions

Weight	Approx. 413 g / 0.91 lb
Installation	Wall mounting; assure a vertical mounting orientation Wall or pipe mounting with weather protection cover

Materials

Housing	Plastic (Polycarbonate)
Cable glands	3xM16x1.5 2xM12x1.5 Material: Polyamid

Electrical connections

Power supply	20...30 VDC, loop powered from 4...20 mA signal input; Voltage drop max. 4V at 4 mA and 2V at 20 mA
System requirements	250 Ω loop resistance for HART [®] communication. Note: In most Ex isolation amplifiers the 250 Ohm resistor is already integrated.
Current output	12...30 VDC; 4...20 mA signal output (passive)
Relays	<p>Two solid state relays working as status output, system alarm or limit switch</p> <ul style="list-style-type: none"> • The relay contacts are electrically isolated from each other and from all other circuits • The output stages of the status outputs/limit switches behave like relay contacts • Possible conditions: NO (normally open) or NC (normally closed) <p>Contact ratings:</p> <ul style="list-style-type: none"> • Maximum voltage = 60 V • Maximum load current = 75 mA up to 55°C and 50 mA above 55°C • Max on resistance = 10 Ohm

Approvals and certifications

CE	
The device meets the essential requirements of the EU directives. The CE marking indicates the conformity of the product with the union legislation applying to the product and providing for CE marking.	
For full information of the EU directives and standards and the approved certifications, please refer to the EU declaration on the website of the manufacturer.	
Other approvals and standards	
NAMUR recommendation	NE 6, NE 21, NE 43, NE 53, NE 107
Shock resistance	IEC 60721-3-4 class 4M4
Vibration resistance	IEC 60721-3-4 class 4M4
	IEC 61298-3 low vibration control room

2.2 Dimensions

Housing

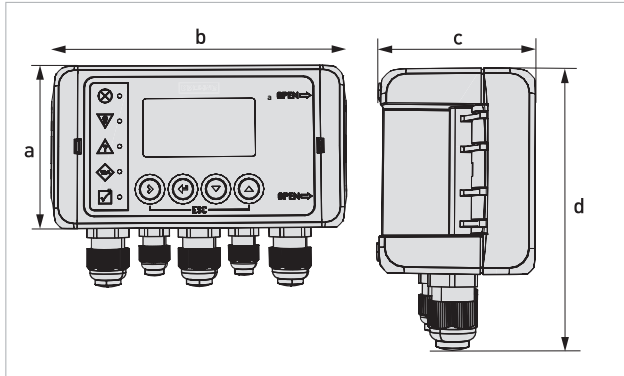


Figure 2-1: Dimension housing

	Dimensions [mm]				Weight [g]
	a	b	c	d	
Wall mounted	80	151	60	105	413

Table 2-1: Dimension housing in mm

	Dimensions [inch]				Weight [pound]
	a	b	c	d	
Wall mounted	3.15	5.94	2.36	4.13	0.91

Table 2-2: Dimension housing in inch

3.1 General notes on installation

Inspect the packaging carefully for damages or signs of rough handling. Report damage to the carrier and to the local office of the manufacturer.

Do a check of the packing list to make sure that you have all the elements given in the order.

Look at the device nameplate to ensure that the device is delivered according to your order. Check for the correct supply voltage printed on the nameplate.

3.2 Intended use

For devices used in hazardous areas, additional safety notes apply; please refer to the Ex documentation.

Responsibility for the use of the measuring devices with regard to suitability, intended use and corrosion resistance of the used materials against the measured fluid lies solely with the operator.

If the device is not used according to the operating conditions (refer to chapter "Technical data"), the intended protection could be affected.

This device is a Group 1, Class A device as specified within CISPR11:2009. It is intended for use in industrial environment. There may be potential difficulties in ensuring electromagnetic compatibility in other environments, due to conducted as well as radiated disturbances.

The manufacturer is not liable for any damage resulting from improper use or use for other than the intended purpose.

The SHD 200 is a control unit for 4...20 mA/HART[®] field devices. The intended use is process control by using the relays, the second current output and the NAMUR NE 107 signalisation by LEDs for the HART[®] parameters of the connected field device. The device has been constructed for indoor and outdoor use below the maximum altitude of 2000 m / 6562 ft.

3.3 Pre-installation requirements

Always note the following items to ensure a proper and safe installation:

- *Make sure that there is adequate space to the sides.*
- *Protect the device from direct sunlight.*
- *The device installed in control cabinets require adequate cooling, e.g. by fan or heat exchanger.*
- *Do not expose the device to intense vibration.*
- *Use assembly materials and tools in compliance with the applicable occupational health and safety directives (assembly materials and tools are not part of the scope of delivery).*
- *Do not make any mechanical modifications to the device. This can result in the loss of proper functionality, as well as the rights under the device warranty.*
- *The device must not be heated by radiated heat (e.g. exposure to the sun) to a electronics housing surface temperature above the maximum permissible ambient temperature. If it is necessary to prevent damage from heat sources, a heat protection (e.g. sun shade) has to be installed.*

The device must be suitable for the temperature specified (including chemical resistance).

Assembly materials and tools are not part of the delivery. Use the assembly materials and tools in compliance with the applicable occupational health and safety directives.

3.4 Opening the housing

Clean and grease all threads each time you open the housing. Use only resin-free and acid-free grease. Before closing the cover, ensure that the housing gasket is properly fitted, clean and undamaged.

All installation works on the electrical connections and mounting require to open the converter housing:

Opening the housing

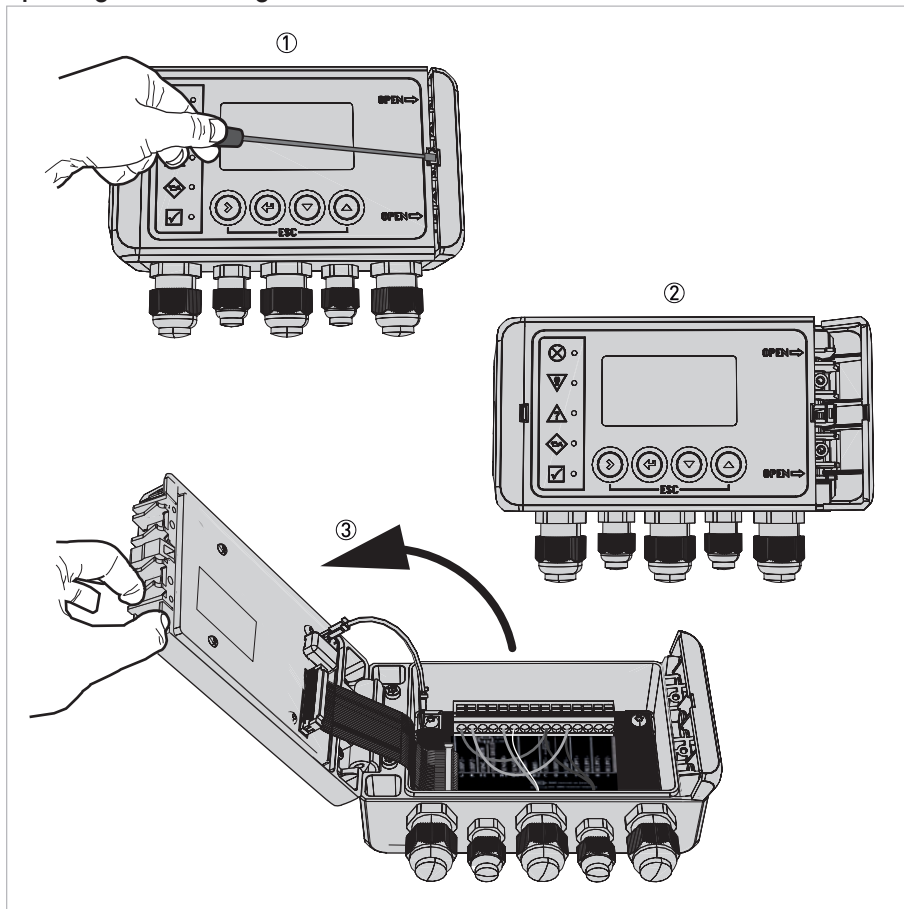


Figure 3-1: Opening the housing

- Put a small flat tool (e.g. screwdriver) into the right hinge lock and open the device ①.
- Lift up the housing ②.
- ➡ Now you have access to the electronic compartment and the possibility to mount the device on a wall.

3.5 Wall mounting

Always note the following items to ensure a proper and safe installation:

- Make sure that there is adequate space to the sides.
- The device must not be heated by radiated heat (e.g. exposure to the sun) to a electronics housing surface temperature above the maximum permissible ambient temperature. If it is necessary to prevent damage from heat sources, a heat protection (e.g. sun shade) has to be installed.
- Signal converters installed in control cabinets require adequate cooling, e.g. by fan or heat exchanger.
- Do not expose the signal converter to intense vibration.
- Use assembly materials and tools in compliance with the applicable occupational health and safety directives (assembly materials and tools are not part of the scope of delivery).

Installation, assembly, start-up and maintenance may only be performed by appropriately trained personnel. The regional occupational health and safety directives must always be observed.

A mounting system with a minimum load force of 0.1 kN (for example FISCHER type UX10) suitable for the background has to be applied.

3.5.1 Housing

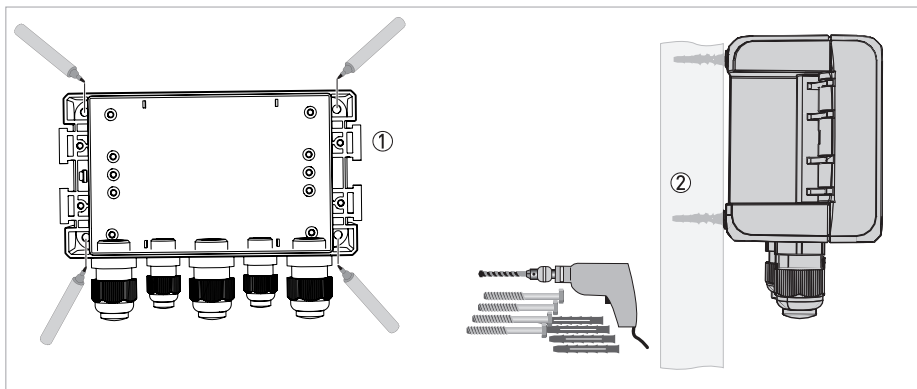


Figure 3-2: Wall mounting of the housing

- ① Mark the holes with a suitable pen ①.
- ② Drill the 4 holes and fasten the device securely to the wall ②.

For outdoor mounting, we recommend the optional weather protection cover XGSH01000 for wall and pipe mounting. For more flexibility and convenient mounting, we recommend wall mounting brackets XGSH010020.

4.1 Connection diagram overview

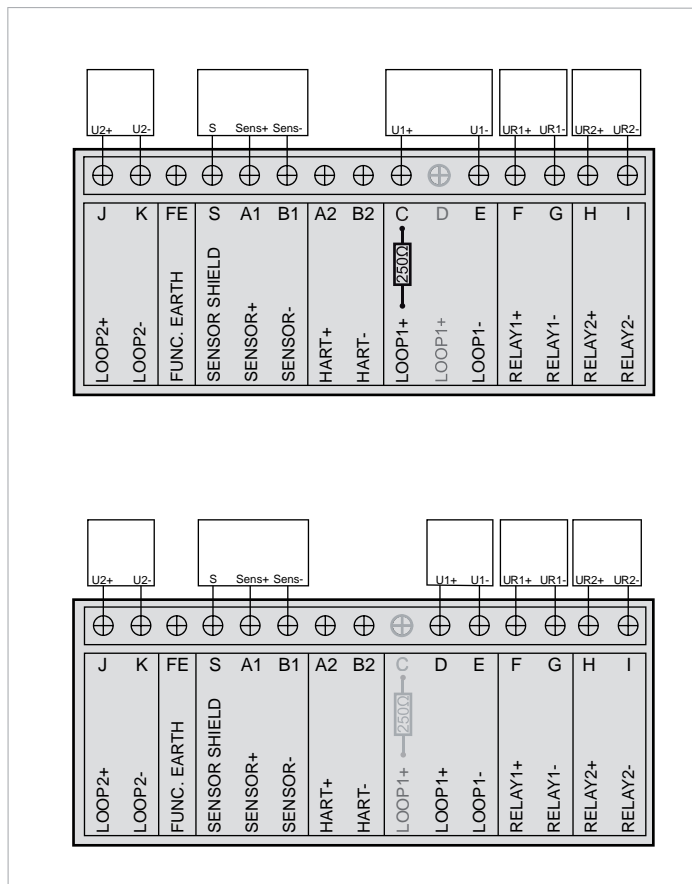


Figure 4-1: Connection diagram overview

Terminal designation	Terminal assignments
J	Loop 2+
K	Loop 2-
FE	Functional earth
S	Shield
A1	Sensor+
B1	Sensor-
A2	HART+
B2	HART-
C	Loop 1+ (HART [®] resistor on board)
D	Loop 1+ (External HART [®] resistor required)
E	Loop 1-
F	Relay 1+
G	Relay 1-
H	Relay 2+
I	Relay 2-

Table 4-1: Terminal designation with terminal assignments

The device is equipped with an internal HART[®] access for the NonEx-version that offers the opportunity to access the field device via HART[®] handheld or HART[®] modem.

4.2 Connecting the field device cable

When connecting the power supply, always note the safety regulations of the current state of the art. To avoid fatal injuries, destruction or damage of the device or measuring errors, also note the following items:

- Cables may only be connected when the power is switched off.
- Always keep the housing of the device well closed if you do not perform any installation works. The function of the housing is to protect the electronic equipment from dust and moisture.
- Check the nameplate and assure that the power supply meets the voltage of the device. The device is loop powered and operates in the range of 20...30 VDC with a voltage drop < 4 VA. If the power supply is below 20 VDC the device and field device will not work. If the power supply is above 30 VDC the device and field device may be damaged/destroyed.

Do not use the integrated 250 Ohm HART[®] resistor of the device, when using an Ex isolation amplifier of third-party with integrated 250 Ohm HART[®] resistor.

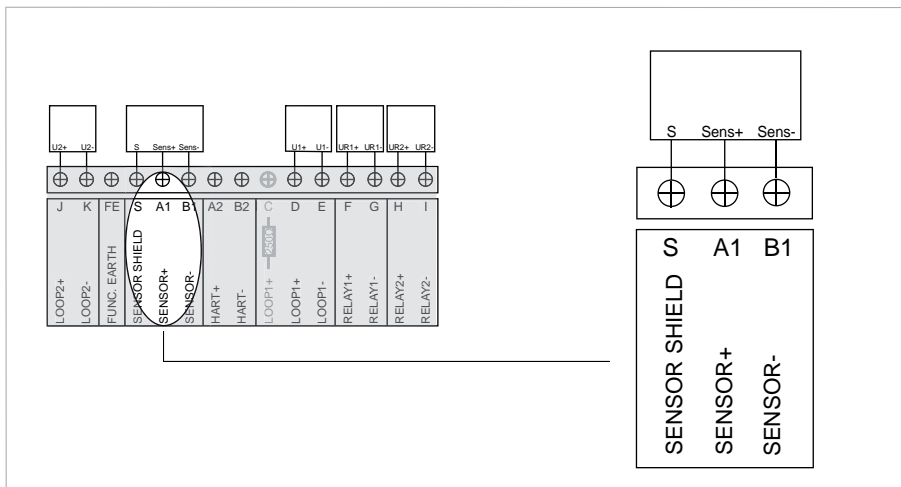


Figure 4-2: Connecting the field device cable

The cable glands installed by the manufacturer are designed for a cable diameter of 3...6,5 mm for M12 and 5... 10 mm for M16. If you are using cables with a larger diameter than 3...6,5 mm for M12 and 5... 10 mm for M16, you must replace the manufacturer's cable glands with suitable ones. The operator is responsible for the correct sealing of cable glands.

4.3 Connecting the second current output

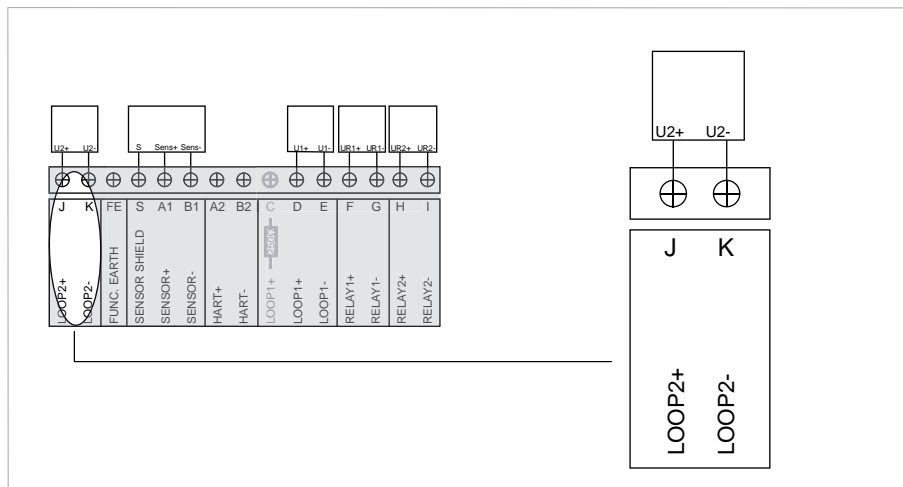


Figure 4-3: Connection of second current output

The second current output can be either used as current output for any HART[®] variable or as power supply for backlight and LEDs for NAMUR NE 107 signalisation if supported by field device (field device must support extended command 523: Read Condensed Status Mapping Array).

4.4 Connecting the relay outputs

The device has two solid state relays that can work as status output, system alarm or limit switch:

- The relay contacts are electrically isolated from each other and from all other circuits.
- The output stages of the status outputs / limit switches behave like relay contacts.
- Possible conditions: NO (normally open) or NC (normally closed).

Contact ratings:

- Maximum Voltage = 60 V
- Maximum Load Current = 75 mA up to 55°C and 50 mA above 55°C
- Max On resistance = 10 Ohm

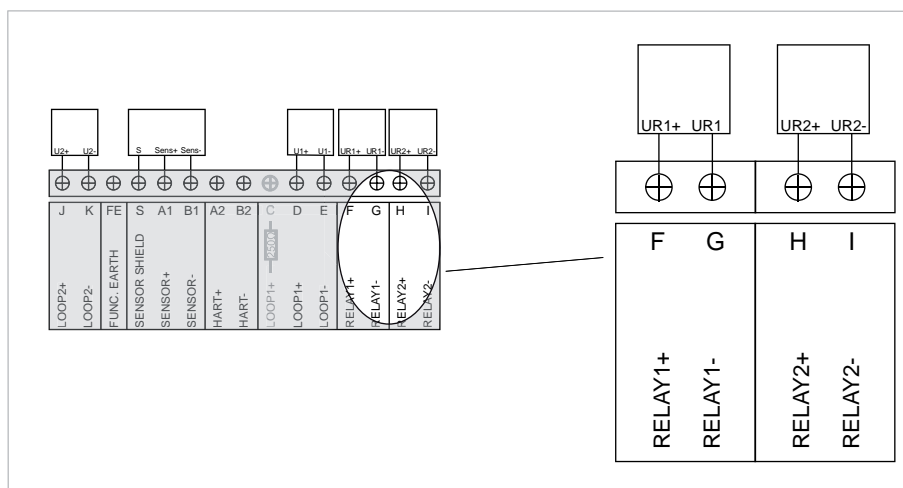


Figure 4-4: Connecting the relay outputs

4.5 Connecting the external HART adapter

The external HART[®] adapter is an optional feature that offers the opportunity to access the field device without opening the housing.

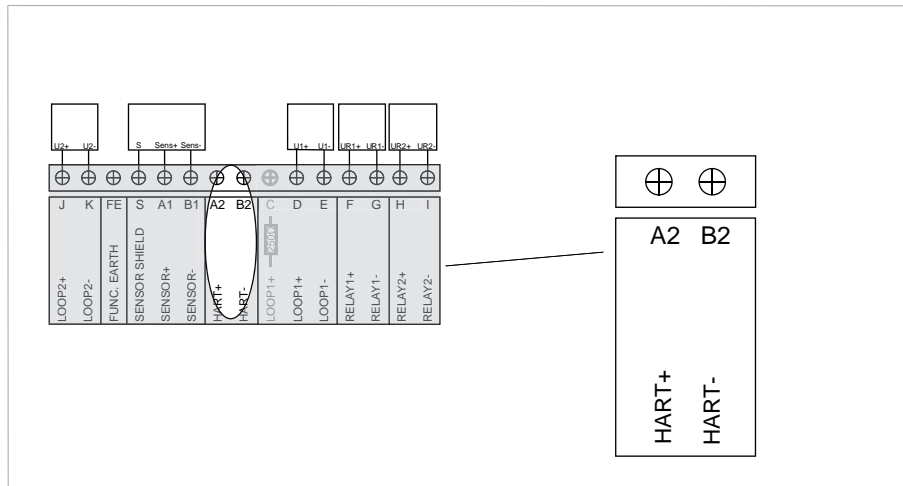


Figure 4-5: Connection of the external HART[®] adapter

- ① Open the housing.
- ② Remove the middle M16 cable gland and screw the HART[®] adapter.
- ③ Connect the HART[®] adapter to connections A2 and B2.

Consider that the cap needs to be closed for a protection of the electronics parts.

4.6 Power supply

To avoid fatal injuries as well as destruction or damage of the device assure a correct installation before switching on the power. This includes:

- *The device is mechanically safe, mounting and power connection comply with the regulations.*
- *The electrical terminal compartments must be secured, i.e. the housing has to be closed and the screws have to be tightened.*
- *The electrical operating data of the power supply comply with the requirements of the device.*

Observe without fail the local occupational health and safety regulations.

Any work done on the electrical components of the measuring device may only be carried out by properly trained specialists.

When connecting the power supply, always note the safety regulations of the current state of the art. To avoid fatal injuries, destruction or damage of the device or measuring errors, also note the following items:

- Cables may only be connected when the power is switched off.
- Always keep the housing of the device well closed if you do not perform any installation works. The function of the housing is to protect the electronic equipment from dust and moisture.
- Check the nameplate and assure that the power supply meets the voltage of the device. The device is loop powered and operates in the range of 20...30 VDC with a voltage drop < 4 VA. If the power supply is below 20 VDC the device and field device will not work. If the power supply is above 30 VDC the device and field device may be damaged/destroyed.

Do not use the integrated 250 Ohm HART® resistor of the device, when using an Ex isolation amplifier of third-party with integrated 250 Ohm HART® resistor.

The device and the field device require a minimum operating voltage of 20 VDC. The power supply is provided via the 2-wire interface (4...20 mA).

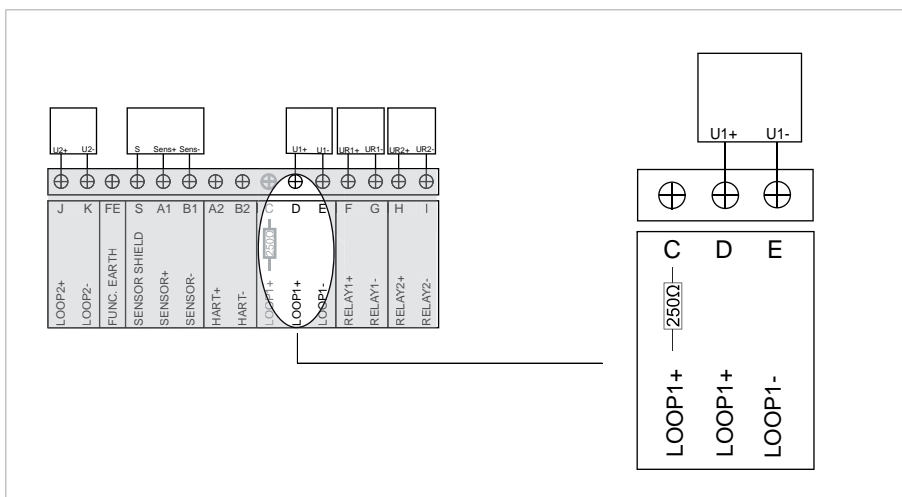


Figure 4-6: Connection of the power supply







KROHNE – Process instrumentation and measurement solutions

- Flow
- Level
- Temperature
- Pressure
- Process Analysis
- Services

Head Office KROHNE Messtechnik GmbH
Ludwig-Krohne-Str. 5
47058 Duisburg (Germany)
Tel.: +49 203 301 0
Fax: +49 203 301 10389
info@krohne.com

The current list of all KROHNE contacts and addresses can be found at:
www.krohne.com

