



## SMARTPAT COND 1200 Technical Datasheet

Digital conductive conductivity sensor for the water and wastewater industry

- 2-wire loop powered sensor with integrated transmitter technology
- Wide measuring range for all water applications
- Rugged sensor design with integrated temperature sensor

**HART**   
COMMUNICATION PROTOCOL

1	Product features	3
1.1	SMARTPAT conductive conductivity sensor	3
1.2	Design and options	4
1.3	Conductivity measurement	6
2	Technical data	7
2.1	Technical data	7
2.2	Dimensions	9
3	Installation	10
3.1	General notes on installation	10
3.2	Intended use	10
3.3	Pre-installation requirements	11
3.4	Installation procedure	12
4	Electrical connections	13
4.1	Safety instructions	13
4.2	Connecting the cable to the sensor	13
4.3	Connecting the sensor cable	14
4.4	Connection diagram	14
4.5	Installing the sensor	16
4.5.1	General installation instructions	16
4.5.2	Installation recommendation	16
5	Order information	19
5.1	Order code	19
5.2	Accessories and consumables	20
6	Notes	21

## 1.1 SMARTPAT conductive conductivity sensor

SMARTPAT analytical sensors from KROHNE are the first and only sensor line in the market with integrated transmitter technology. The complete circuitry is miniaturised and fits into the sensor head. This technical achievement cuts the price in half compared to all measurement systems.

KROHNE offers a real open standard without transmitter and a direct connection via standardised fieldbus from the sensor to the process control system. The SMARTPAT sensor stores all data and sends these as bidirectional digital signals with 4...20 mA / HART<sup>®</sup> 7 protocol to the control and asset management systems, handhelds, PC and other peripherals.

The SMARTPAT COND 1200 meets all requirements of the water and wastewater industries.

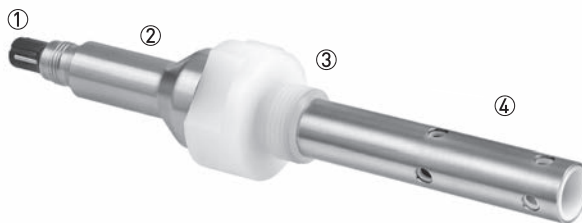


Figure 1-1: SMARTPAT COND 1200

- ① VP2 connector
- ② Nickel-plated brass body
- ③ Process connection: G3/4 A thread (male), PVDF
- ④ Electrodes: stainless steel 1.4571 and PVDF (isolator)

### Highlights

- Direct connection via standardised fieldbus
- Easy handling of offline and online configuration via free of charge PACTware™ FDT/DTM
- High cell constant for wide measuring range
- Robust sensor material with stainless steel electrodes
- Standard process connection for direct installation in pipelines and tanks
- Long lifespan
- With integrated Pt1000 and standard VP2 connector

### Industries

- Water and wastewater
- Power plants
- Steel and mining
- Pulp and paper
- Chemicals

### Applications

- General water monitoring
- Quality control of cooling water
- Wastewater control and treatment
- Media separation

## 1.2 Design and options



**SMARTPAT COND 1200 is available with standard process connections in PVDF:**

- G3/4 A thread (male)

**The electrodes material:**

- stainless steel (1.4571), PVDF (isolator)

**Available cell constant c**

- c=1 (100  $\mu$ S/cm...20 mS/cm at 25°C / 77°F)

The sensor can be integrated into the process control system via PACTware™ FDT/DTM with the open standard in fieldbus systems - HART®.

SMARTPAT COND 1200 is compatible with all 2-wire loop powered indicators.

**Made to Fit**

Mounting assemblies SENSOFIT series

As a complete provider for process analysis, we naturally offer a complete range of assemblies. In addition to immersion assemblies, there is also a range of flow-through assemblies available, in a wide range of materials. Special versions for special operating conditions are available on request.

For the SMARTPAT COND 1200 sensor type the following individual assemblies are available:

- SENSOFIT FLOW 1000 / 1710 series – Flow-through assemblies

For further information please consider the technical datasheets.

### 1.3 Conductivity measurement

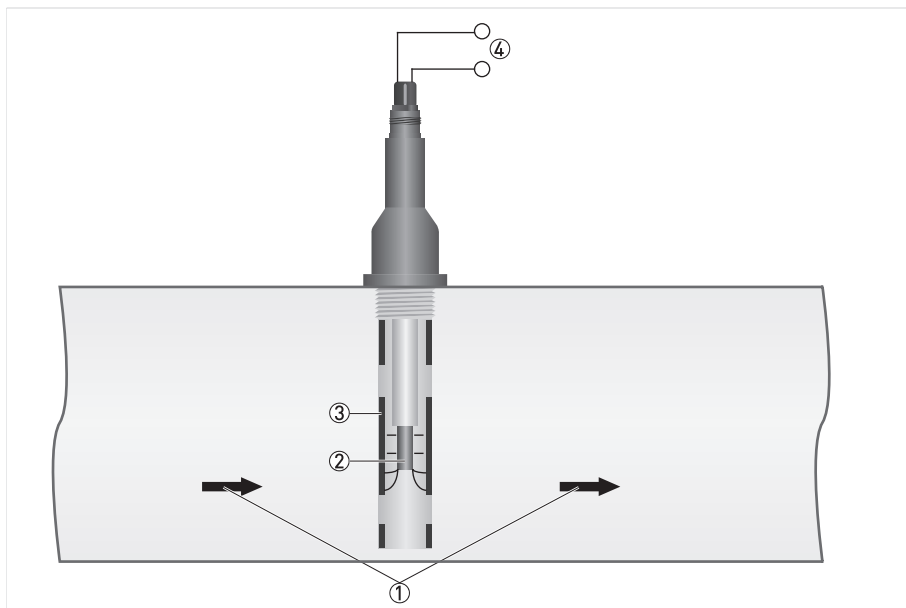


Figure 1-2: Measuring principle for conductivity measurement

- ① Flow direction
- ② Inner electrode
- ③ Outer electrode
- ④ Power supply

Conductivity is defined as the property of an aqueous solution to conduct electricity by ion transportation. The higher the ion concentration, the more current can flow. Using Ohm's law (Resistance = Voltage/Current) the resistance of a liquid can be determined by measuring the current while keeping voltage constant. Specific conductivity is defined by  $1/\text{resistance}$ . The unit of measurement is Siemens and is normally expressed in  $\mu\text{S}/\text{cm}$ . An important criterion for the measuring range of conductivity cells is the geometry of the electrodes.

**There are two rules which are characteristic for conductivity measurement:**

1. The larger the distance between the two electrodes, the larger the resistance.
2. The larger the electrode surface, the lower the resistance.

The surface area (A) and the distance (L) must be correctly matched to the desired measuring range. This is called the "cell constant" defined as  $c=L/A$ .

## 2.1 Technical data

- *The following data is provided for general applications. If you require data that is more relevant to your specific application, please contact us or your local sales office.*
- *Additional information (certificates, special tools, software,...) and complete product documentation can be downloaded free of charge from the website (Downloadcenter).*

### Measuring system

Measuring principle	Conductivity measurement - conductive
Measuring range	100 µS/cm...20 mS/cm (c=1) at 25°C / 77°F

### Design

Temperature sensor	Pt1000
Connector	VarioPin 2.0 (VP2)

### Operating conditions

Process temperature	0...+135°C / +32...+275°F
Ambient temperature	-10...+85°C / +14...+185°F
Storage temperature	-40°C...+85°C / -40°F...+185°F
Process pressure	16 bar at 25°C / 232 psi at 77°F 9 bar at 60°C / 130.5 psi at 140°F
Measuring accuracy	±3% of the measured value

### Installation conditions

Ingress protection	IP68
Weight	Approx. 347 g / 0.77 lb
Process connection	G3/4 A thread (male)

### Materials

Process connection	PVDF
Electrodes	Stainless steel (1.4571 / 316 Ti)
Sensor head	Nickel plated brass body with VP2 connector
Isolator	PVDF

**Communication**

Measuring range	0.1...20 mS/cm at 25°C / 77°F (for c=1 the displayed unit is mS/cm for conductivity and kOhm*cm for resistivity)
Output signal	4...20 mA (passive)
Output resolution	20 µA
Field communication	HART <sup>®</sup> 7 - FSK 1200 physical layer definition on top of the current loop
Filter adjustable	1...60 seconds

**Electrical connections**

Power supply	15...30 VDC loop powered
Output	4...20 mA + HART <sup>®</sup> protocol
Load	Minimum 0 Ω; maximum $R_L = [(U_{ext.} - 15 \text{ VDC}) / 22 \text{ mA}]$
HART <sup>®</sup>	HART <sup>®</sup> protocol via current output (HART <sup>®</sup> 7)
Device revision	1
Physical layer	FSK
Device category	Sensor galvanically isolated
System requirements	250 Ω loop resistance for HART <sup>®</sup> communication
Multidrop operation	4 mA In a multidrop communication system, up to 32 devices can be connected. For installation in a multidrop communication system please consider the voltage drop for the 250 Ω loop resistance for HART <sup>®</sup> communication. The supply voltage has to be adjusted.

**Approvals and certificates**

CE	
This device fulfils the statutory requirements of the EC directives. The manufacturer certifies successful testing of the product by applying the CE mark.	
Electromagnetic compatibility	Directive 2004/108/EC, NAMUR NE 21
Shock resistance	IEC 60068-2-31, Environmental testing – Part 2: Test Ec



## 2.2 Dimensions

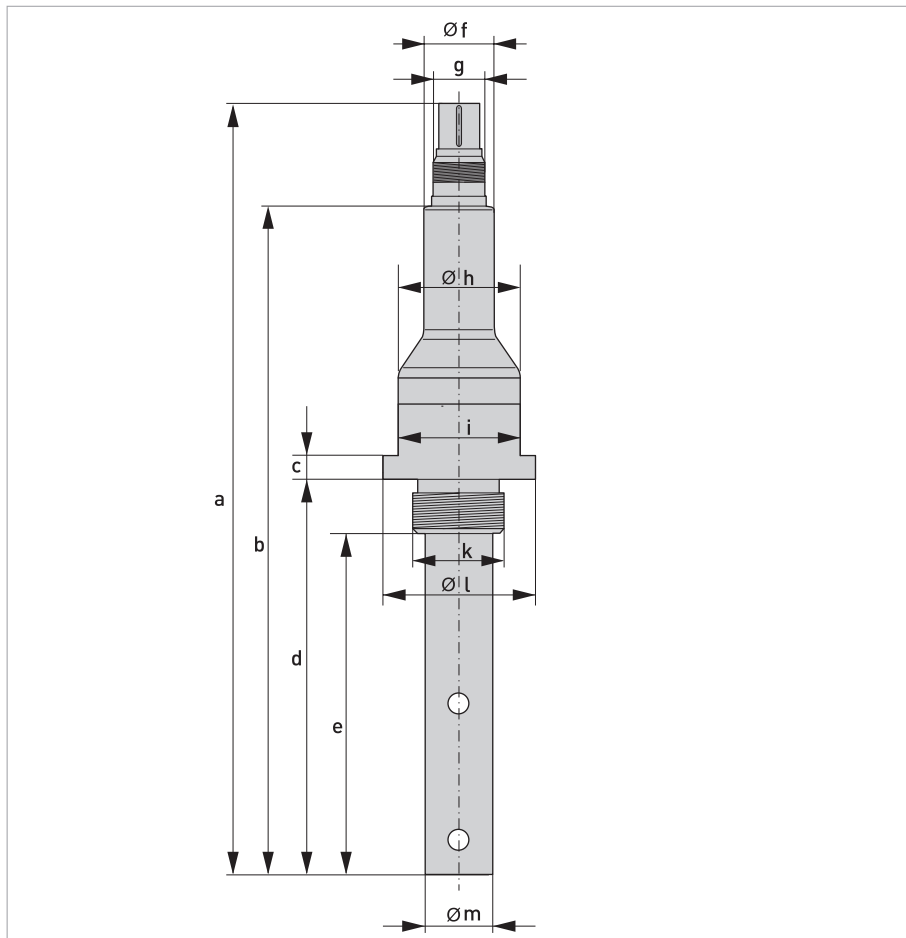


Figure 2-1: SMARTPAT COND 1200

### Process connection G3/4 A thread (male)

	Dimensions [mm]	Dimensions [inch]
a	228.2	8.98
b	198	7.79
c	7	0.28
d	116	4.57
e	100	3.94
f	Ø20.5	Ø0.81
g	VarioPin	
h	Ø24	Ø0.94
i	WS 36	
k	G3/4 A	
l	Ø45	Ø1.77
m	Ø20	Ø0.79

### 3.1 General notes on installation

*For devices used in hazardous areas, additional safety notes apply; please refer to the Ex documentation.*

*All work on the electrical connections may only be carried out with the power disconnected.*

*Observe the national regulations for electrical installations!*

*During installation of the device make sure that you use ESD (electrostatic discharge) protection equipment.*

*Observe without fail the local occupational health and safety regulations. Any work done on the electrical components of the measuring device may only be carried out by properly trained specialists.*

*Inspect the packaging carefully for damages or signs of rough handling. Report damage to the carrier and to the local office of the manufacturer.*

*Do a check of the packing list to make sure that you have all the elements given in the order.*

*Look at the device nameplate to ensure that the device is delivered according to your order.*

### 3.2 Intended use

*Responsibility for the use of the measuring devices with regard to suitability, intended use and corrosion resistance of the used materials against the measured fluid lies solely with the operator.*

*This device is a Group 1, Class A device as specified within CISPR11:2009. It is intended for use in industrial environment. There may be potential difficulties in ensuring electromagnetic compatibility in other environments, due to conducted as well as radiated disturbances.*

*The manufacturer is not liable for any damage resulting from improper use or use for other than the intended purpose.*

The intended use of the sensor SMARTPAT COND 1200 is the measurement of conductivity in conductive liquids.

### 3.3 Pre-installation requirements

- *Do not drop the device! Handle the device with care!*
- *Never touch or scratch the electrodes of the sensor.*
- *Store the sensor in its original packaging in a dry, dust-free location. Keep it away from dirt. If necessary, clean it as described in the manual of the sensor.*
- *Do not make any mechanical modifications to the sensor (electrodes shortened, drilled, bent or scratched). This can result in the loss of proper functionality, as well as the rights under the device warranty.*
- *The sensor must be suitable for the temperature, pressure and medium conditions which are specified (including chemical resistance).*

*A sensor specific DTM software for usage with PACTware™ FDT is available. The DTM software is free of charge and available from CD (scope of delivery) or can be downloaded from the KROHNE website (Downloadcenter).*

The required steps are explained in the following sections.

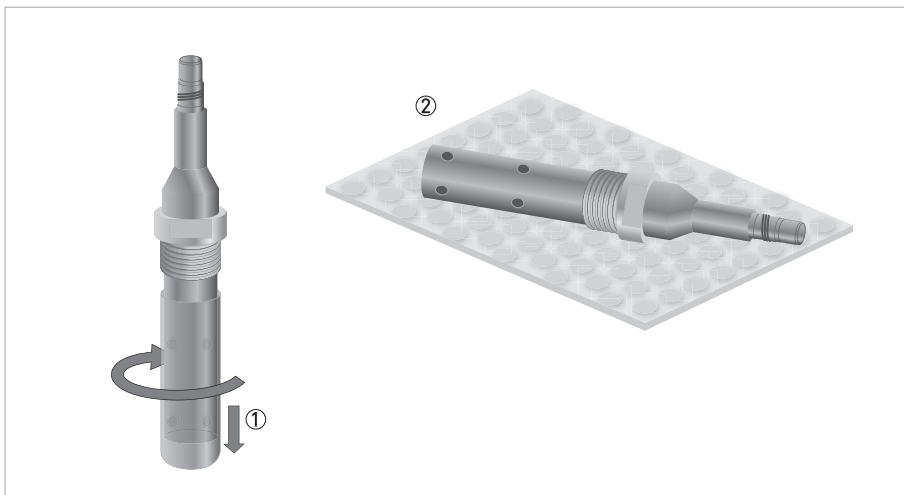


Figure 3-1: Unpacking the sensor

#### Unpacking the sensor

- Remove by gently twisting and pulling the protective cap from the sensor ①.
- Lay the sensor on a soft ESD mat or soft paper tissue ②.
- Leave the protection cap of the VP connector, as long as the sensor is not connected to the cable.

### 3.4 Installation procedure

*During installation of the device make sure that you use ESD (electrostatic discharge) protection equipment.*

- ① Connect the sensor to the junction box or directly to the process control system.
- ② Install the sensor into its final measuring location.
- ③ If necessary re-calibrate the cell constant for your process conditions.

## 4.1 Safety instructions

*For devices used in hazardous areas, additional safety notes apply; please refer to the Ex documentation.*

*All work on the electrical connections may only be carried out with the power disconnected.*

*Observe the national regulations for electrical installations!*

*Observe without fail the local occupational health and safety regulations. Any work done on the electrical components of the measuring device may only be carried out by properly trained specialists.*

*Look at the device nameplate to ensure that the device is delivered according to your order.*

## 4.2 Connecting the cable to the sensor

*During installation of the device make sure that you use ESD (electrostatic discharge) protection equipment.*

*Moisture on the sensor connector must be avoided! Moisture may cause a short-circuit and a malfunction of the sensor!*

*If moisture has entered the connector dry it with air (e.g. hot air gun).*

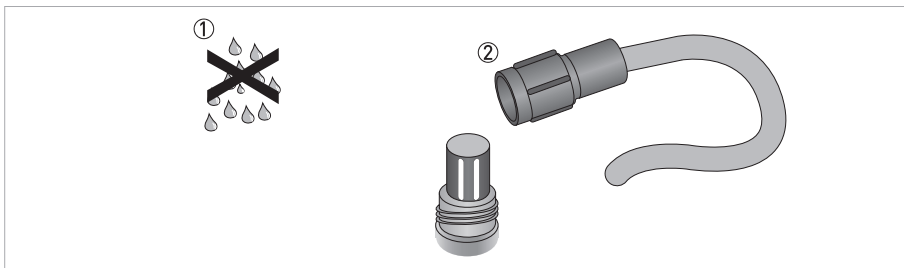


Figure 4-1: Connecting the cable to the sensor

### Connecting the cable to the sensor

- Ensure that both cable and sensor connector are absolutely dry ①.
- Screw the cable connector ② on the sensor connector and tighten it by hand. (max. 5 Nm)

### 4.3 Connecting the sensor cable

All work on the electrical connections may only be carried out with the power disconnected.

The cable glands installed by the manufacturer are designed for a cable diameter of 8 to 13 mm. If you are using cables with a larger diameter, you must replace the manufacturer's cable glands with suitable ones.

#### Cable VP2-S

Transparent-Black (inner coax shield)	Ub+
White	Ub-
Shield	S

### 4.4 Connection diagram

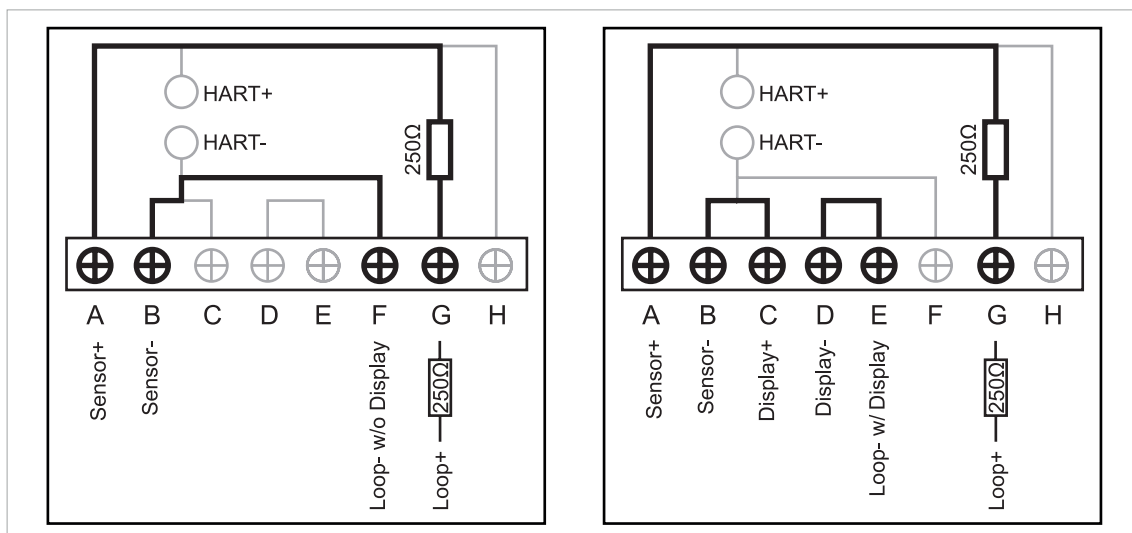


Figure 4-2: SJB 200 W-Ex with SMARTPAT sensor, integrated HART® resistor and without display (left side). SJB 200 W-Ex with SMARTPAT sensor, integrated HART® resistor and display (right side).

SJB 200 W-Ex with SMARTPAT sensor, integrated HART® resistor and without display.		SJB 200 W-Ex with SMARTPAT sensor, integrated HART® resistor and display.	
A	Sensor+ (Ub+)	A	Sensor+ (Ub+)
B	Sensor- (Ub-)	B	Sensor- (Ub-)
F	Loop- w/o Display	C	Display+
G	Loop+ 250Ω	D	Display-
		E	Loop- w/ Display
		G	Loop+ 250Ω

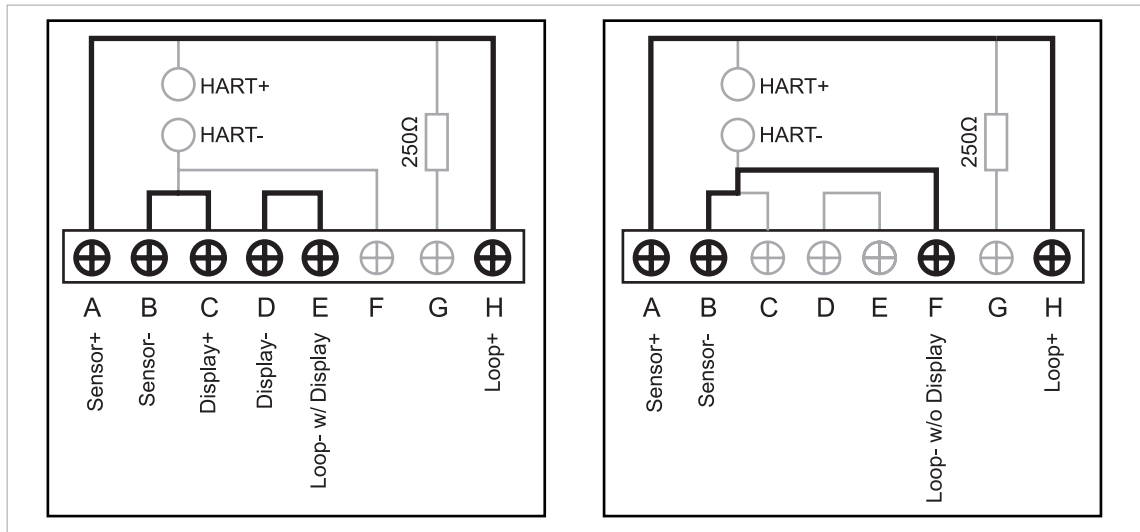


Figure 4-3: SJB 200 W-Ex with SMARTPAT sensor, display and without integrated HART<sup>®</sup> resistor (left side).  
 SJB 200 W-Ex with SMARTPAT sensor, without display and integrated HART<sup>®</sup> resistor (right side)

SJB 200 W-Ex with SMARTPAT sensor, display and without integrated HART <sup>®</sup> resistor.		SJB 200 W-Ex with SMARTPAT sensor, without display and integrated HART <sup>®</sup> resistor.	
A	Sensor+ (Ub+)	A	Sensor+ (Ub+)
B	Sensor- (Ub-)	B	Sensor- (Ub-)
C	Display+	F	Loop- w/o Display
D	Display-	H	Loop+
E	Loop- w/ Display		
H	Loop+		

## 4.5 Installing the sensor

### 4.5.1 General installation instructions

*Ensure that the pipeline is without pressure before installing or removing a sensor!*

*During installation you should fix a shut-off valve in front of and behind the instrument so that the sensor can be taken out in case of check.*

*To achieve reliable measuring results, the electrodes must always have full contact with the measuring medium.*

*Basically any installation position is possible. However, ensure that sufficient medium flows through and around the electrodes (the conductive electrodes must always be completely surrounded by the medium). Structural measures must be taken to prevent flow interruption or gas bubbles.*

### 4.5.2 Installation recommendation

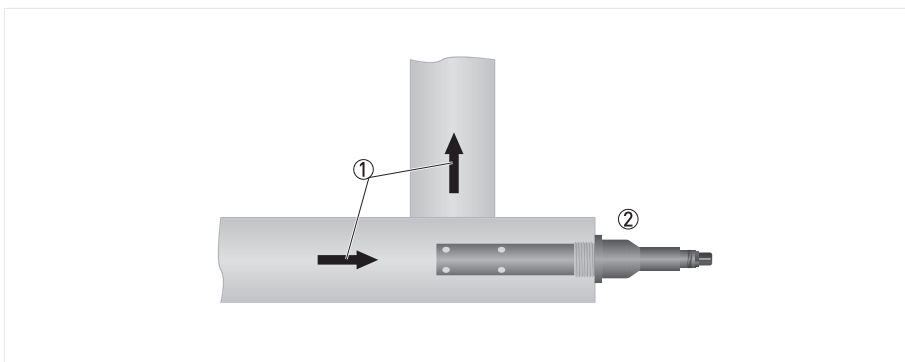


Figure 4-4: Typical installation

- ① Flow direction
- ② Ordered sensor

- Installation against the flow to ensure direct exposure of the electrodes.



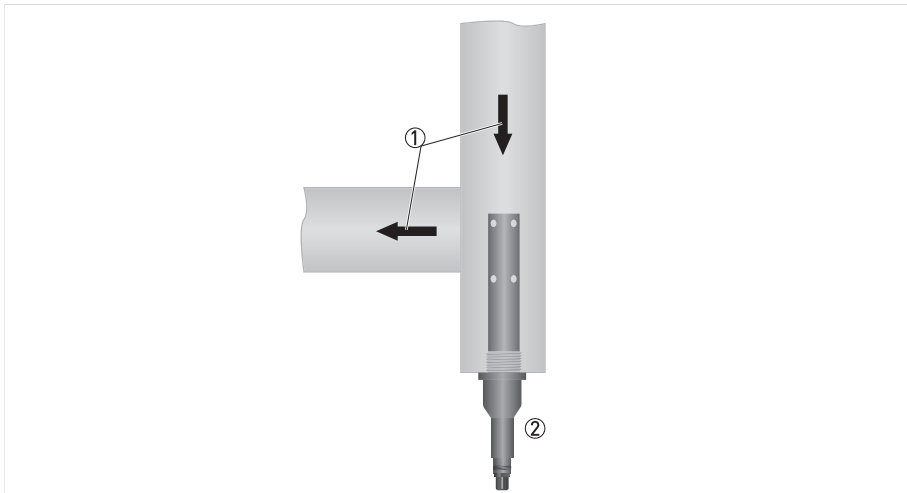


Figure 4-5: Installation for clean water

- ① Flow direction
- ② Ordered sensor

- This installation is only recommended if the pipeline is completely filled and if there are no particles or air bubbles in the pipeline.

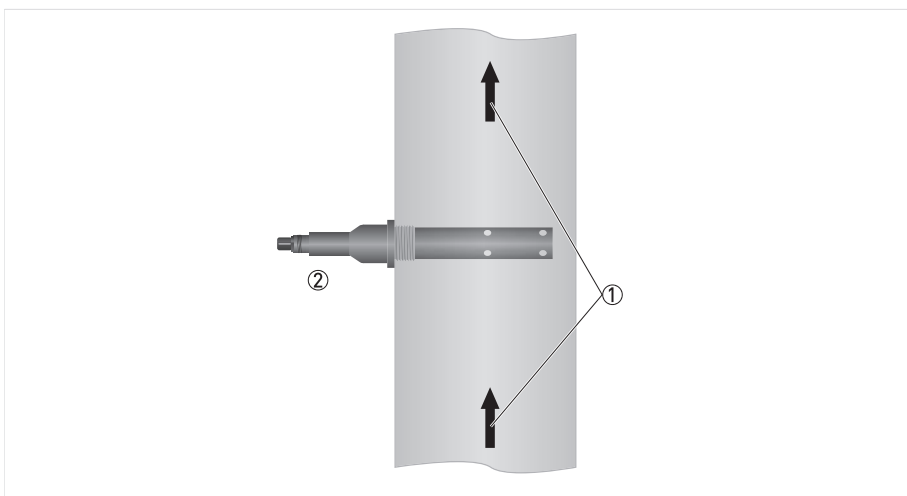


Figure 4-6: Possible installation

- ① Flow direction
- ② Ordered sensor

- This installation is only recommended if the pipeline is completely filled and if there are no particles or air bubbles in the pipeline.
- Consider the diameter of the pipeline, i.e. compare pipeline DN with insertion length of the sensor shaft.

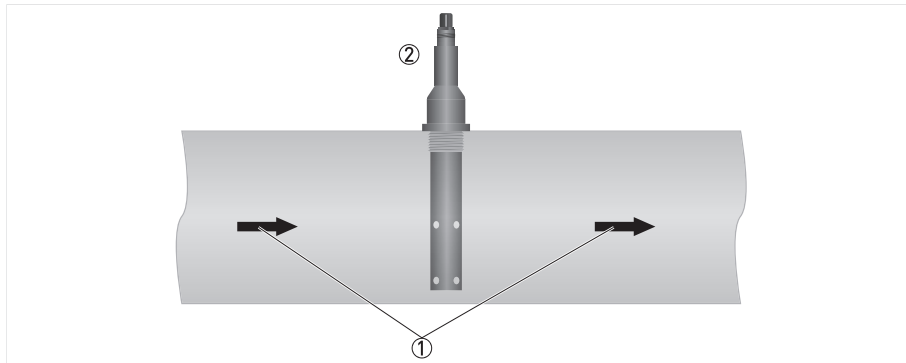


Figure 4-7: Possible installation

- ① Flow direction
- ② Ordered sensor

- This installation is only recommended if the pipeline is completely filled and if there are no particles or air bubbles in the pipeline.
- Consider the diameter of the pipeline, i.e. compare pipeline DN with insertion length of the sensor shaft.

## 5.1 Order code

The characters of the order code highlighted in light grey describe the standard.

VGS C	4	<b>Sensor type</b>	
	1	SMARTPAT COND 1200	
		<b>Measuring range</b>	
	A	100 µS/cm...20 mS/cm (c=1)	
		<b>Materials</b>	
	1	Process connection: PVDF, Electrodes: stainless steel (1.4571 / 316Ti), PVDF (isolator)	
		<b>Process conditions</b>	
	A	0...+135°C, 16 bar at +25°C / +32...+275°F, 232 psi at +77°F	
		<b>Process connection</b>	
	1	G3/4 A thread (male)	
		<b>Insertion length</b>	
	A	100 mm / 3.94"	
		<b>Communication</b>	
	1	4...20 mA / HART®	
		<b>Connector type</b>	
	B	VarioPin (VP2), nickel-plated brass	
		<b>Approval</b>	
	0	None	
		<b>Documentation</b>	
	0	None	
	1	English	
	2	German	
	3	French	
	4	Spanish	
	5	Italian	
	6	Turkish	
		<b>Material certification</b>	
	0	None	
VGS C	4		

## 5.2 Accessories and consumables

Accessories	Order code
-------------	------------

**Cable**

Cable VP2-S-3 (3 m / 9.84 ft)	XGA W 080130
Cable VP2-S-5 (5 m / 16.4 ft)	XGA W 080140
Cable VP2-S-10 (10 m / 32.8 ft)	XGA W 080150
Cable VP2-S-15 (15 m / 49.2 ft)	XGA W 080160
Cable VP2-S-20 (20 m / 65.6 ft)	XGA W 080170
Cable VP2-S-30 (30 m / 98.4 ft)	XGA W 080180

**Junction box**

SJB 200 W-Ex - Junction box for connecting sensor with process control system, for sensor cable with shield	XGA S 080013
Connecting cable M12 - Cable with M12 cable connector for connecting HART® handheld (e.g. Emerson 475 FIELD COMMUNICATOR) to SJB 200 W-Ex junction box	XGA S 080014

**USB interface cable**

OPTIBRIDGE - USB interface cable with stainless steel housing and various adapter cables for SMARTPAT sensors	See technical datasheet OPTIBRIDGE
SMARTBRIDGE - USB interface cable with plastic housing for SMARTPAT sensors	XGA S 080010

**Display**

SD 200 W - Indicator for SMARTPAT sensors, wall mount	VGSD 4 1A2A2A200
SD 200 R - Indicator for SMARTPAT sensors, rack mount	VGSD 4 2A3A0A000

Consumables	Order code
-------------	------------

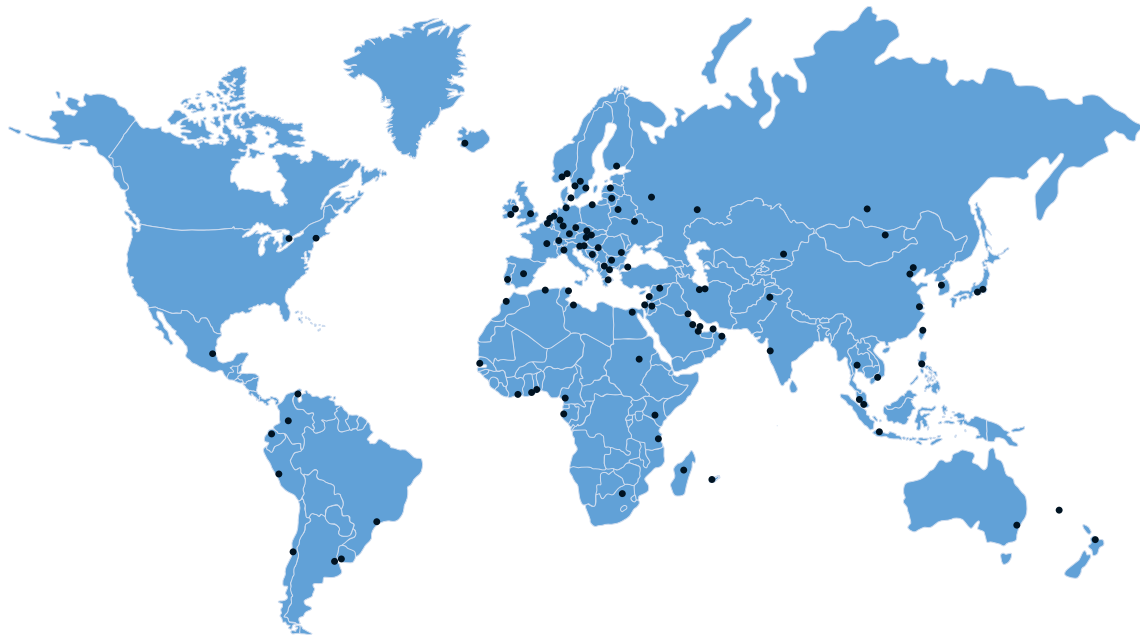
**Standard solution for conductivity calibration**

Conductivity standard solution 0.147 mS/cm - 1 x 250 ml (glass bottle)	XGA S 030020
Conductivity standard solution 1.413 mS/cm - 1 x 250 ml	XGA S 030030









## KROHNE – Process instrumentation and measurement solutions

- Flow
- Level
- Temperature
- Pressure
- Process Analysis
- Services

Head Office KROHNE Messtechnik GmbH  
Ludwig-Krohne-Str. 5  
47058 Duisburg (Germany)  
Tel.: +49 203 301 0  
Fax: +49 203 301 10389  
info@krohne.com

The current list of all KROHNE contacts and addresses can be found at:  
[www.krohne.com](http://www.krohne.com)

**KROHNE**